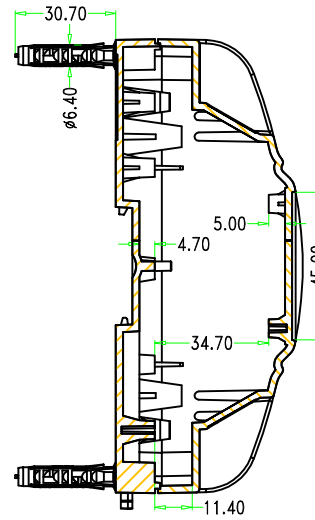


150.00  
SEC A-A



SEC B-B

