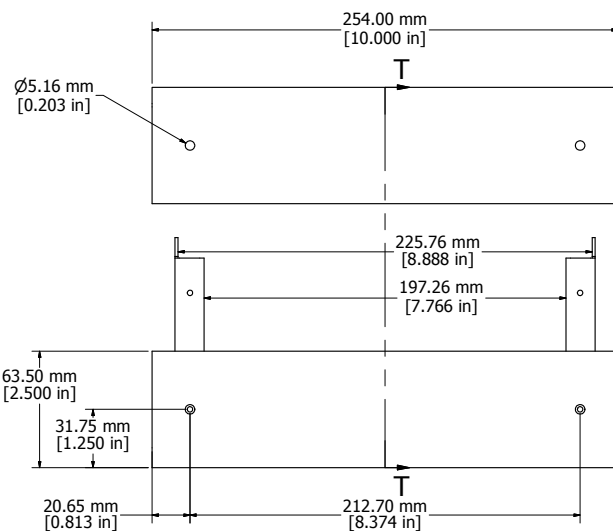
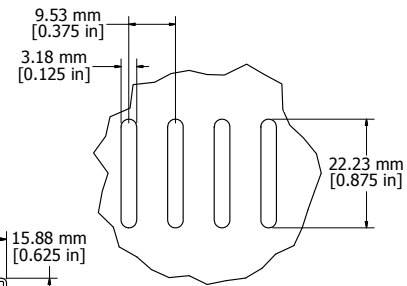
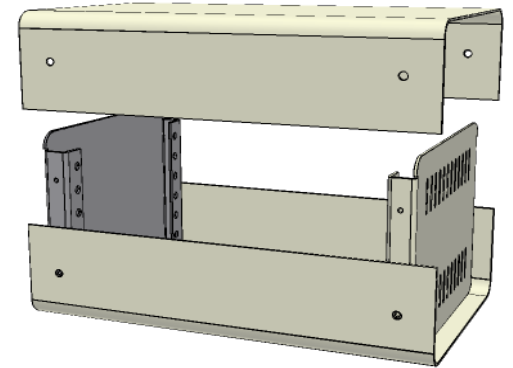


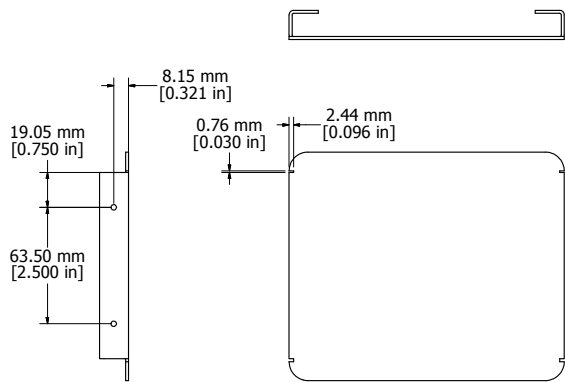
SECTION T-T



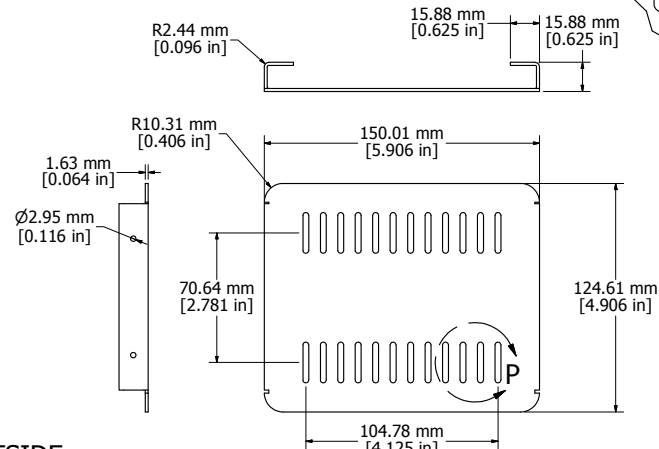
ASSEMBLY - VIEW FROM SIDE (OPEN)



DETAIL P



FRONT PANEL - VIEW FROM OUTSIDE



REAR PANEL - VIEW FROM OUTSIDE

| |
|---|
| - 20 GAUGE STEEL BODY PAINTED (RAL 7032) |
| - EIGHT 6-32 NICKEL PLATED SCREWS |
| - 0.064" THICK ALUMINUM PANELS PAINTED (FRONT PANEL BLACK , REAR PANEL RAL 7032) |
| - FOUR SELF ADHESIVE RUBBER FEET |
| EXTRA SCREWS - 1421J6 (6-32 x 1/4 SHEET METAL SCREWS) |

Contact Factory mjm@hammondmfg.com for quotes
 Enclosures can be Factory Modified (Milling, Drilling, Printing etc.)
 Solid models of this enclosure available in STEP or IGES.



**HAMMOND
MANUFACTURING™**

1401A

www.hammondmfg.com