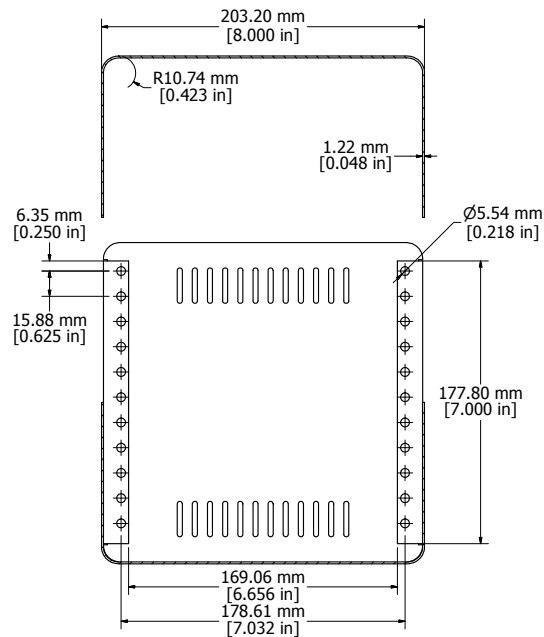
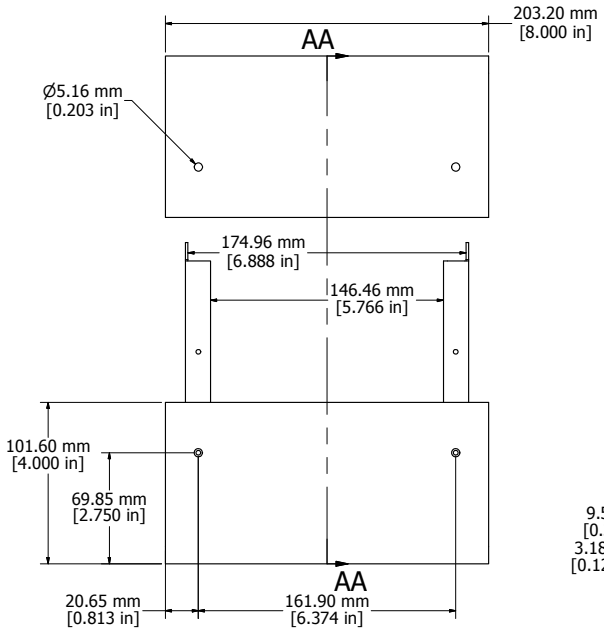


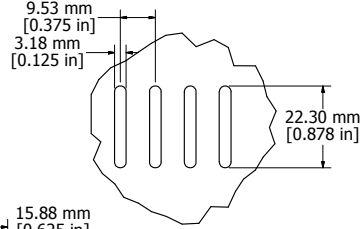
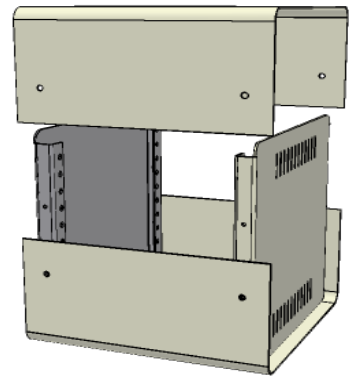
8 7 6 5 4 3 2 1



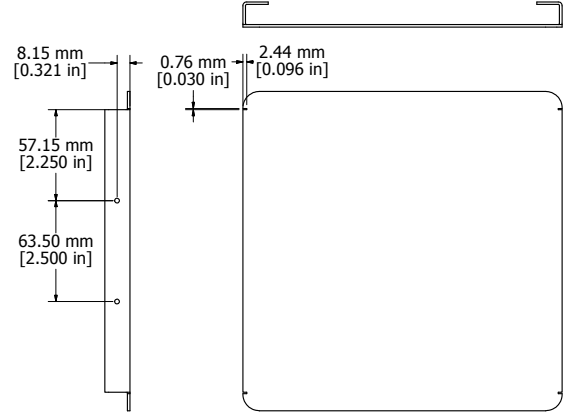
SECTION AA-AA



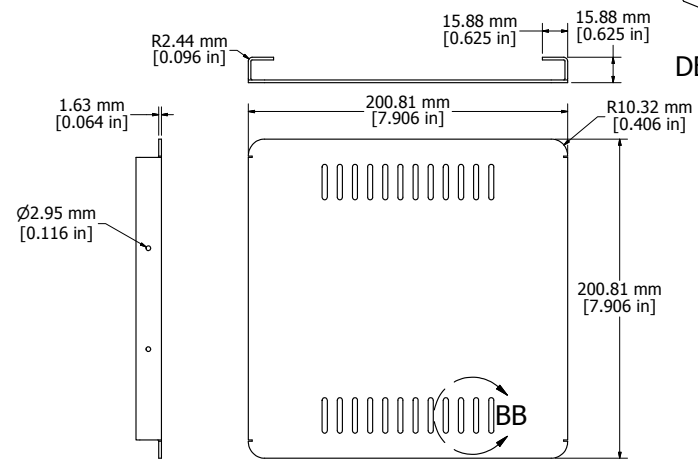
ASSEMBLY - VIEW FROM SIDE (OPEN)



DETAIL BB



FRONT PANEL - VIEW FROM OUTSIDE



REAR PANEL - VIEW FROM OUTSIDE

- 20 GAUGE STEEL BODY PAINTED (RAL 7032)
- FOUR 6-32 NICKEL PLATED SCREWS
- 0.064" THICK ALUMINUM PANELS PAINTED ( FRONT PANEL BLACK, REAR PANEL RAL 7032)
- SELF ADHESIVE RUBBER FEET
- EXTRA SCREWS - 1421J6 (6-32 x 1/4 SHEET METAL SCREWS)

Contact Factory [mjm@hammondmfg.com](mailto:mjm@hammondmfg.com) for quotes  
 Enclosures can be Factory Modified ( Milling, Drilling, Printing etc. )  
 Solid models of this enclosure available in STEP or IGES.

**HAMMOND  
MANUFACTURING™**

**1401E**

[www.hammondmfg.com](http://www.hammondmfg.com)

8 7 6 5 4 3 2 1