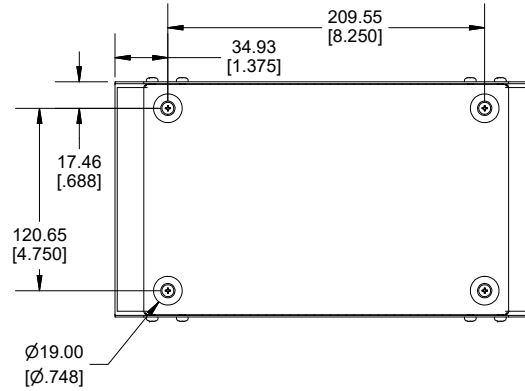
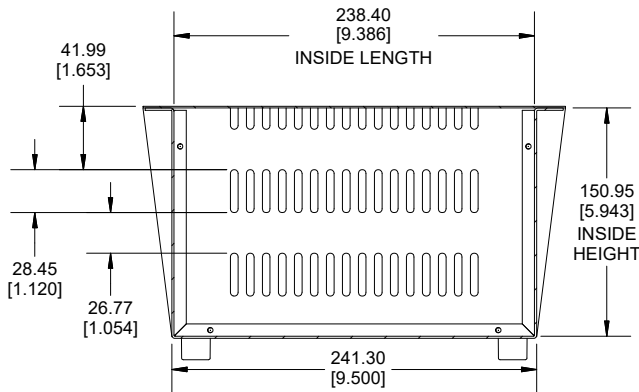
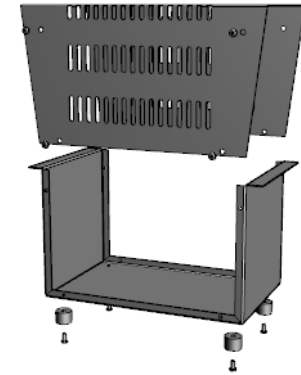


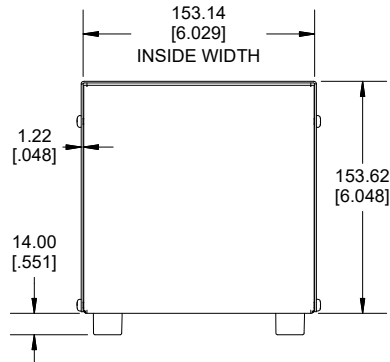
TOP VIEW



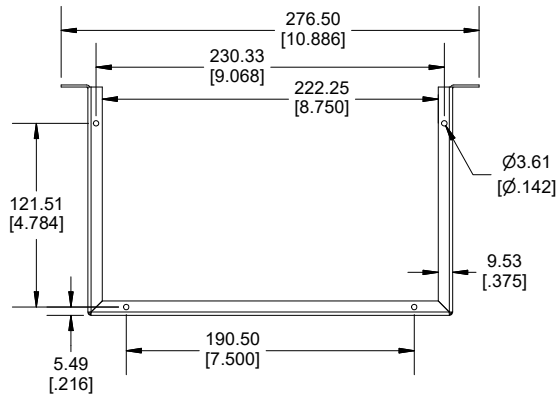
BOTTOM VIEW



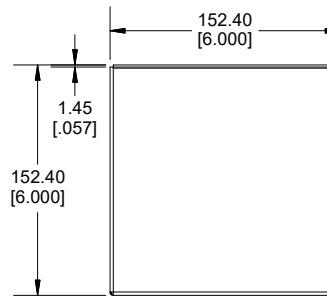
SECTION A-A
SIDE VIEW



END VIEW



SIDE BASE VIEW

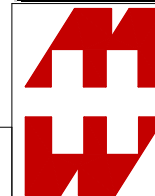


END BASE VIEW

Dimensions:
mm
[inches]

Enclosures can be Factory Modified (Milling, Drilling, Printing etc.)
Contact Factory (modshop@hammfg.com) for quotes
Solid models of this enclosure available in .stp or .x_t
(Part number and text placement/orientation on our products are subject to change,
we do not recommend using them as a locating reference for modification purposes)

| NOTE |
|---|
| Purchased assembly includes base, cover, rubber feet, cover screws and rubber feet screws |
| Recommended Cover screw torque -- 14-15 lbf-in (160-170 cN-m) |
| 1453 |
| 1453B Regular Enclosure |
| BASE: 16 ga. Steel (beige) |
| Cover: 18 ga. Steel vented for cooling (beige) |
| Cover screws: (#8-32 X 1/4" self tap) (Pkg 8) |
| Feet: 0.75" (19 mm) Rubber (Pkg 4) |
| Feet screws: (#8-32 X 3/8" self tap) (Pkg 4) |



**HAMMOND
MANUFACTURING.**

1453B

www.hammondmfg.com