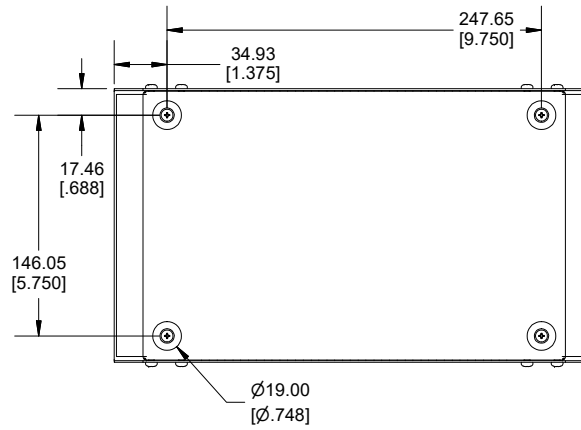
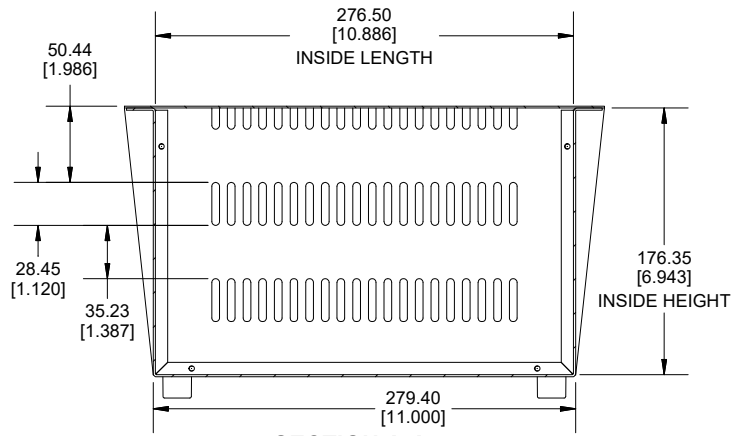


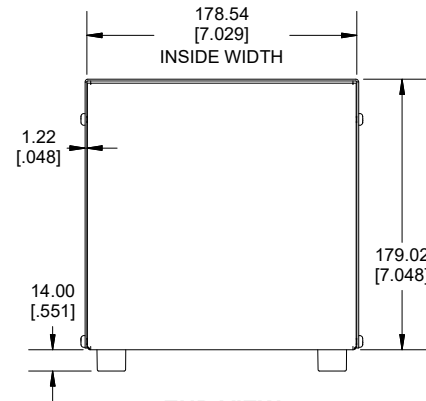
TOP VIEW



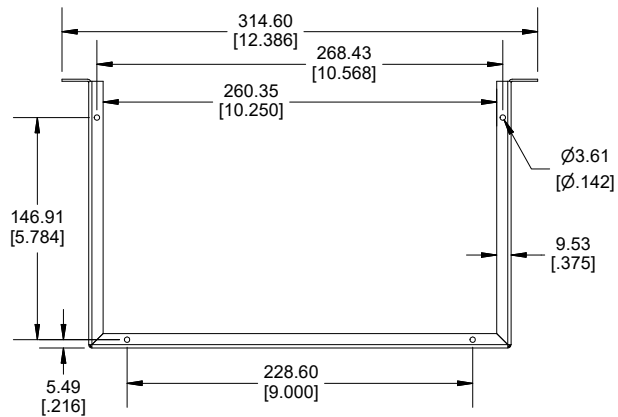
BOTTOM VIEW



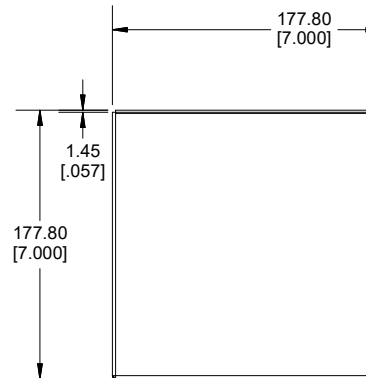
**SECTION A-A
SIDE VIEW**



END VIEW

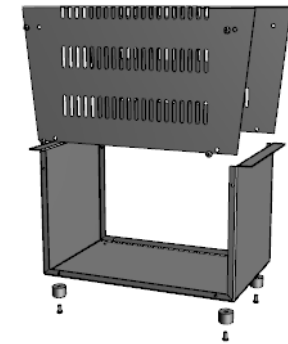


SIDE BASE VIEW



END BASE VIEW

Dimensions:
mm
[inches]



Enclosures can be Factory Modified (Milling, Drilling, Printing etc.)
Contact Factory (modshop@hammfg.com) for quotes
Solid models of this enclosure available in .stp or .x_t
(Part number and text placement/orientation on our products are subject to change,
we do not recommend using them as a locating reference for modification purposes)

NOTE

Purchased assembly includes base, cover, rubber feet, cover screws
and rubber feet screws

Recommended Cover screw torque -- 14-15 lbf-in (160-170 cN-m)

1453

1453C Regular Enclosure

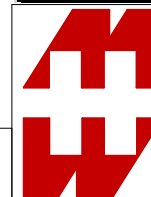
BASE: 16 ga. Steel (beige)

Cover: 18 ga. Steel vented for cooling (beige)

Cover screws: (#8-32 X 1/4" self tap) (Pkg 8)

Feet: 0.75" (19 mm) Rubber (Pkg 4)

Feet screws: (#8-32 X 3/8" self tap) (Pkg 4)



**HAMMOND
MANUFACTURING.**

1453C

www.hammondmfg.com