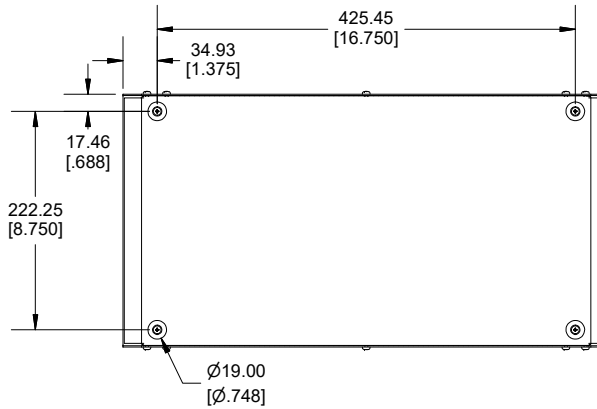
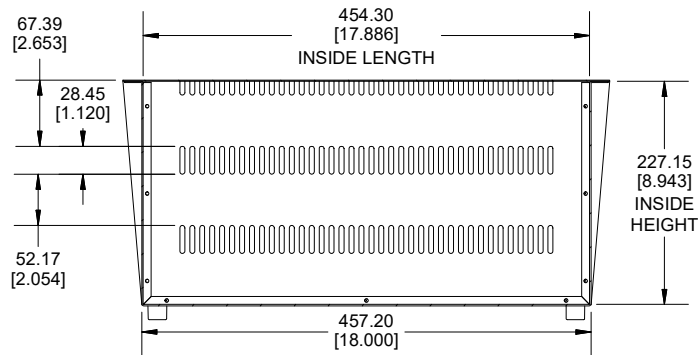
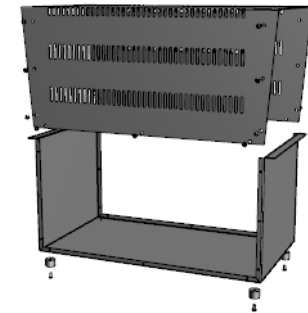


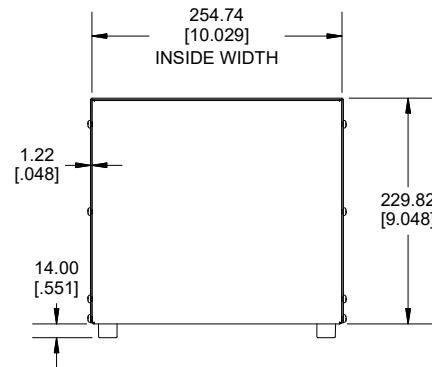
TOP VIEW



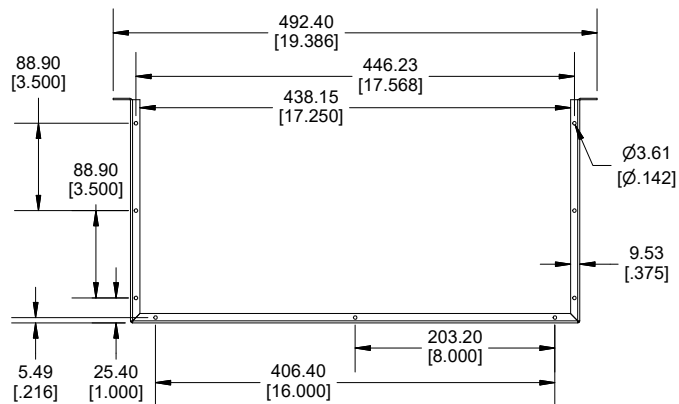
BOTTOM VIEW



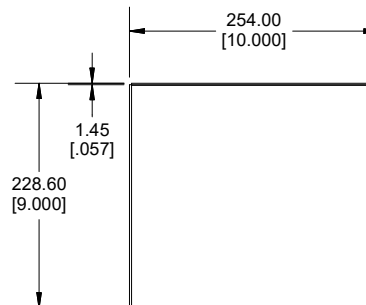
SECTION A-A



END VIEW



SIDE BASE VIEW



END BASE VIEW

Dimensions:
mm
[inches]

Enclosures can be Factory Modified (Milling, Drilling, Printing etc.)
Contact Factory (modshop@hammfg.com) for quotes
Solid models of this enclosure available in .stp or .x_t
(Part number and text placement/orientation on our products are subject to change,
we do not recommend using them as a locating reference for modification purposes)

NOTE	
Purchased assembly includes base, cover, rubber feet, cover screws and rubber feet screws	
Recommended Cover screw torque -- 14-15 lbf-in (160-170 cN-m)	
1453	
1453K Regular Enclosure	
BASE: 16 ga. Steel (beige)	
Cover: 18 ga. Steel vented for cooling (beige)	
Cover screws: (#8-32 X 1/4" self tap) (Pkg 18)	
Feet: 0.75" (19 mm) Rubber (Pkg 4)	
Feet screws: (#8-32 X 3/8" self tap) (Pkg 4)	

**HAMMOND
MANUFACTURING®**

1453K

www.hammondmfg.com