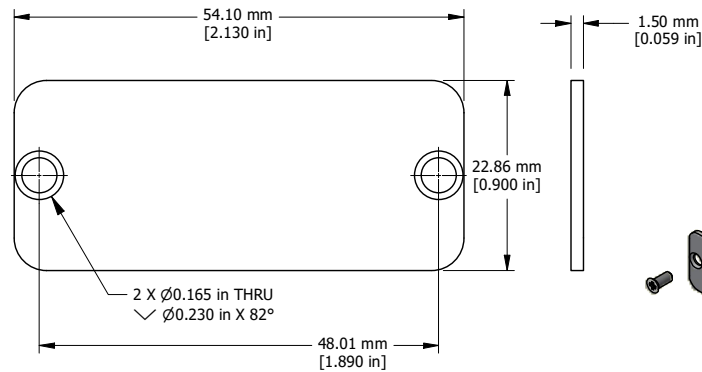
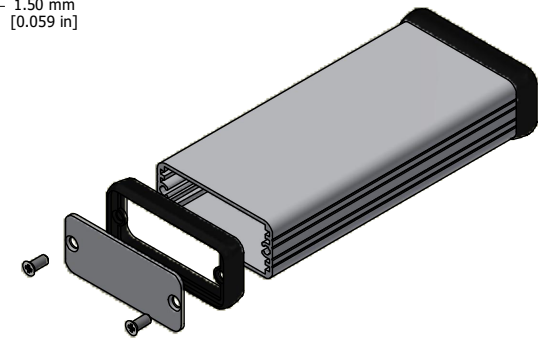


EXTRUSION

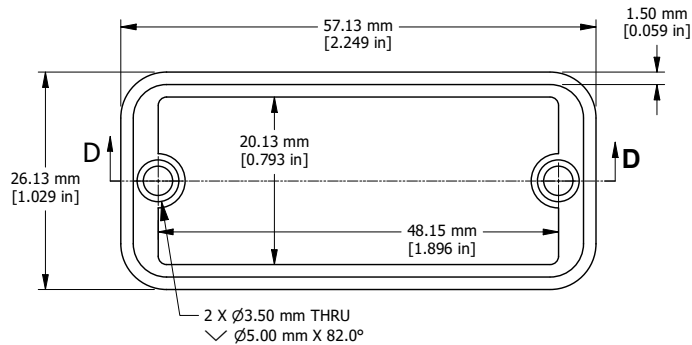


END PLATE

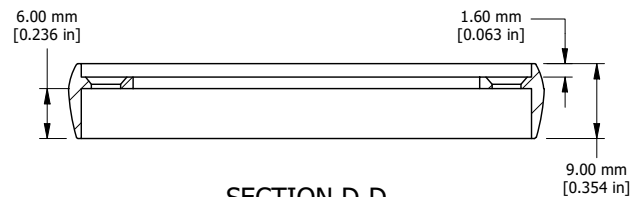


EXPLODED ASSEMBLY VIEW

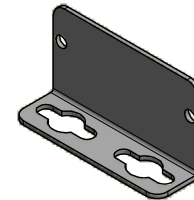
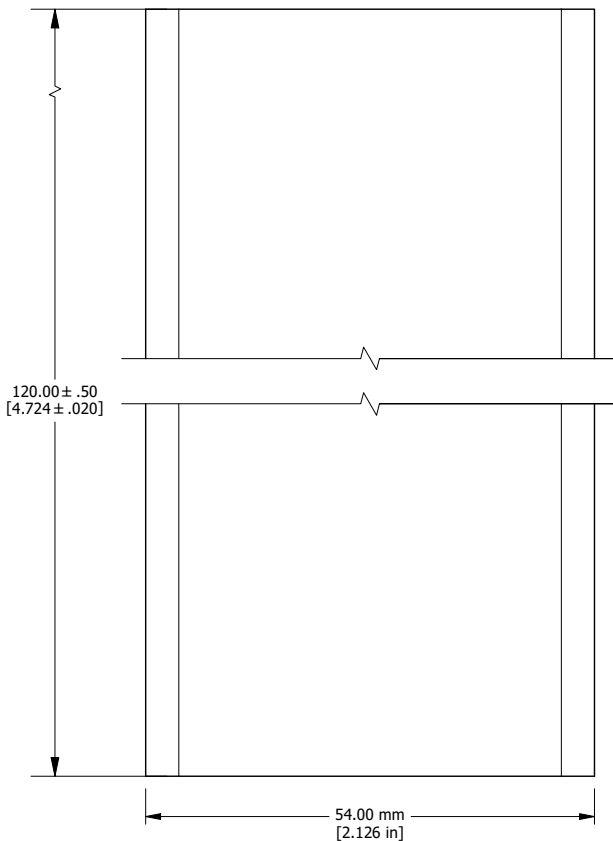
EXTRUSION DESIGNED FOR 50MM WIDE PC BOARD



OPEN BEZEL



SECTION D-D



OPTIONAL FLANGE END PANELS
1455CF

Enclosures can be Factory Modified (Milling, Drilling, Printing etc.)
Solid models of this enclosure available in STEP or IGES.
Contact Factory mjm@hammondmfg.com

NOTE	
Purchased assembly includes box, plastic bezels, end panels, #6 Taptight screws and self adhesive rubber feet.	
Box made from Extruded Aluminum 6063.	
Bezels made with polycarbonate.	

1455C1201	
PART NUMBERS	
Clear Anodized	1455C1201
Black Anodized	1455C1201BK
Blue Anodized	1455C1201BU
Red Anodized	1455C1201RD
ACCESSORIES	
See website for accessories.	

**HAMMOND
MANUFACTURING™**

1455C1201
www.hammondmfg.com