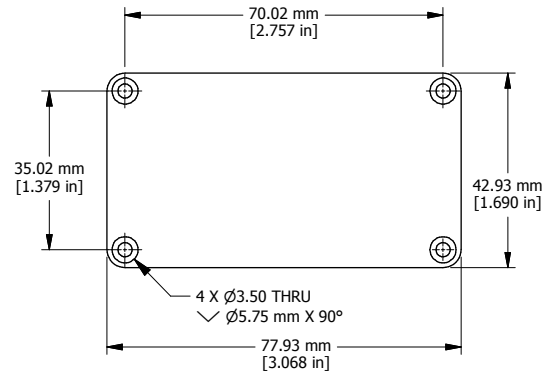
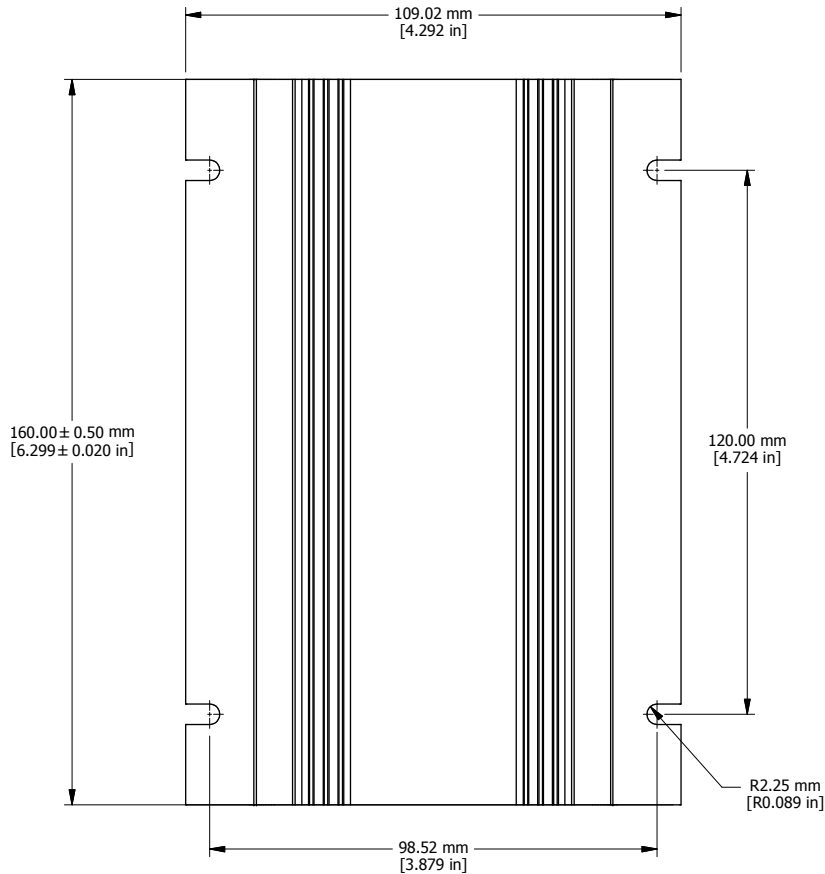
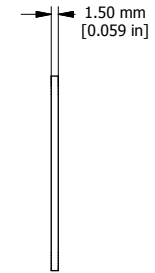


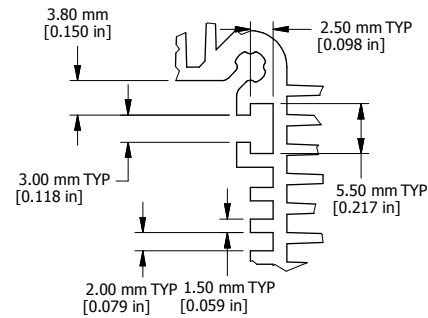
EXTRUSION



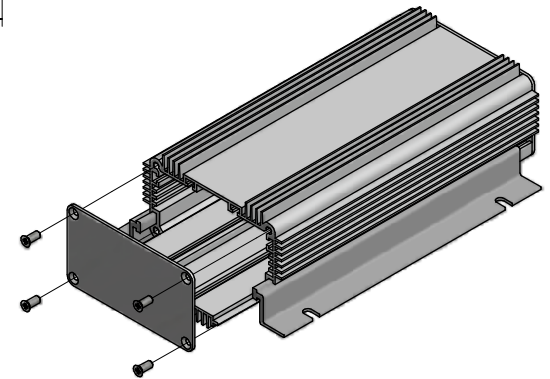
END PLATE



EXTRUSION DESIGNED FOR
75MM WIDE PC BOARD



DETAIL A



EXPLODED ISOMETRIC VIEW

Enclosures can be Factory Modified (Milling, Drilling, Printing etc.)
Solid models of this enclosure available in STEP or IGES.
Contact Factory mjm@hammondmfg.com

NOTE
Purchased assembly includes box, aluminum end panels, #6
Taptight screws and mounting flanges.
Box made from Extruded Aluminum 6063.

1455KHD1601	
PART NUMBERS	
Clear Anodized	1455KHD1601
Black Anodized	1455KHD1601BK
ACCESSORIES	
See website for accessories.	

