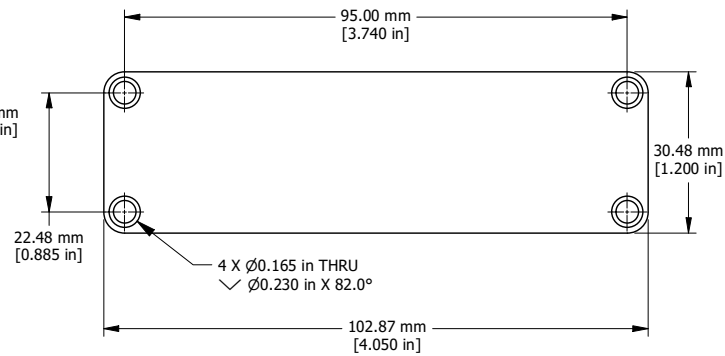
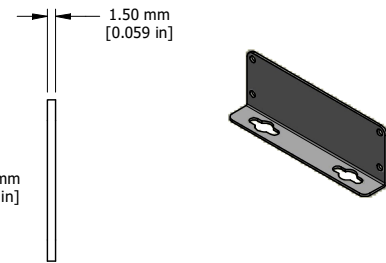


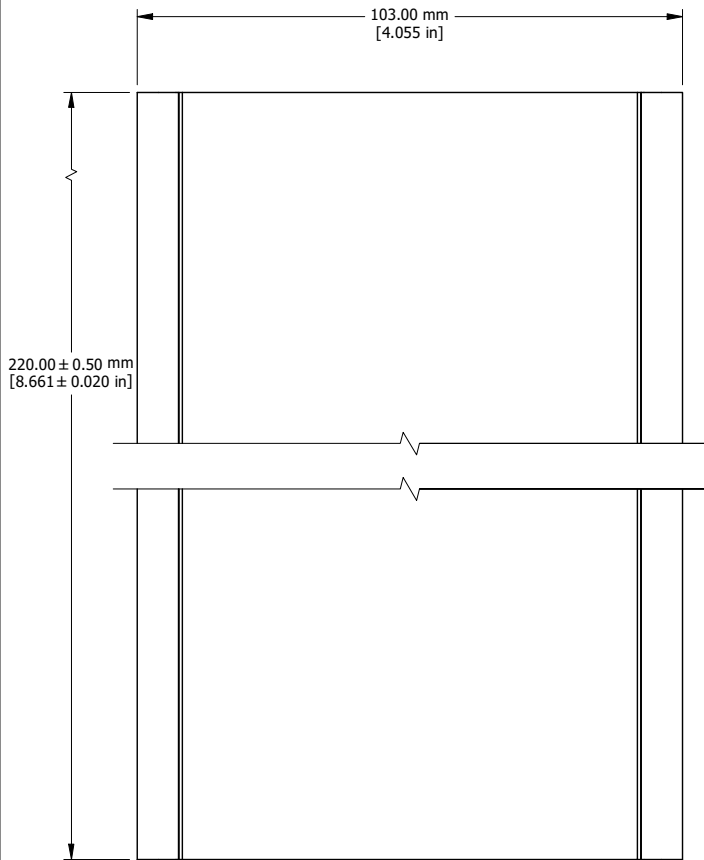
**EXTRUSION**



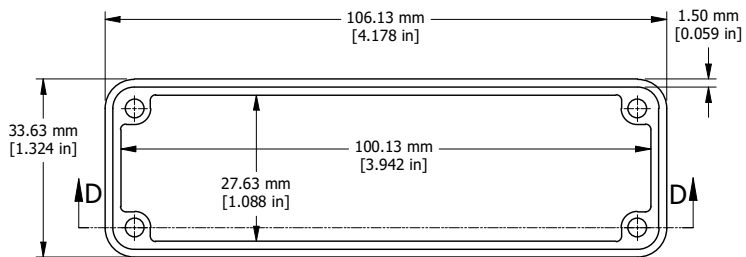
**END PLATE**



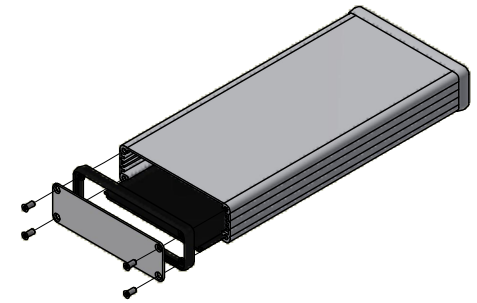
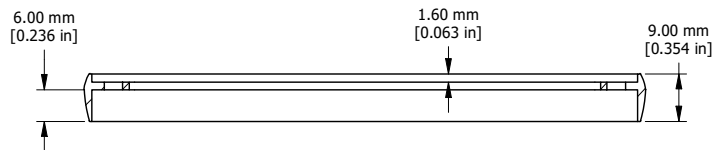
**OPTIONAL FLANGE END PANELS  
1455LF**



**EXTRUSION DESIGNED FOR 100MM WIDE PC BOARD**



**OPEN BEZEL**



**EXPLODED ASSEMBLY VIEW**

Enclosures can be Factory Modified ( Milling, Drilling, Printing etc. )  
Solid models of this enclosure available in STEP or IGES.  
Contact Factory [mjm@hammondmfg.com](mailto:mjm@hammondmfg.com)

NOTE	
Purchased assembly includes box, plastic bezels, end panels, #6 Taptight screws and self adhesive rubber feet.	
Box made from Extruded Aluminum 6063.	
Bezels made with polycarbonate.	

1455L2201	
PART NUMBERS	
Clear Anodized	1455L2201
Black Anodized	1455L2201BK
Blue Anodized	1455L2201BU
Red Anodized	1455L2201RD
ACCESSORIES	
See website for accessories.	

**HAMMOND  
MANUFACTURING™**

**1455L2201**  
[www.hammondmfg.com](http://www.hammondmfg.com)