

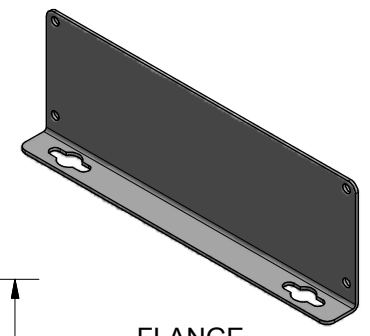
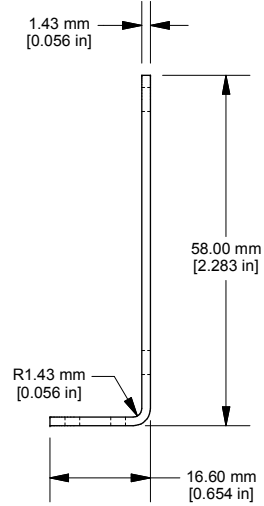
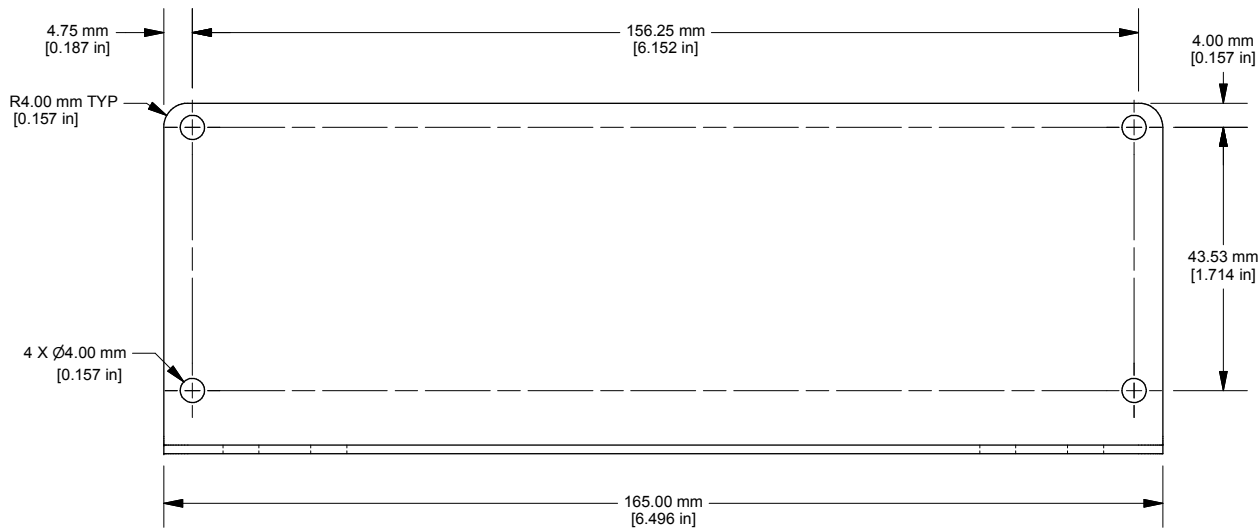
2

1



B

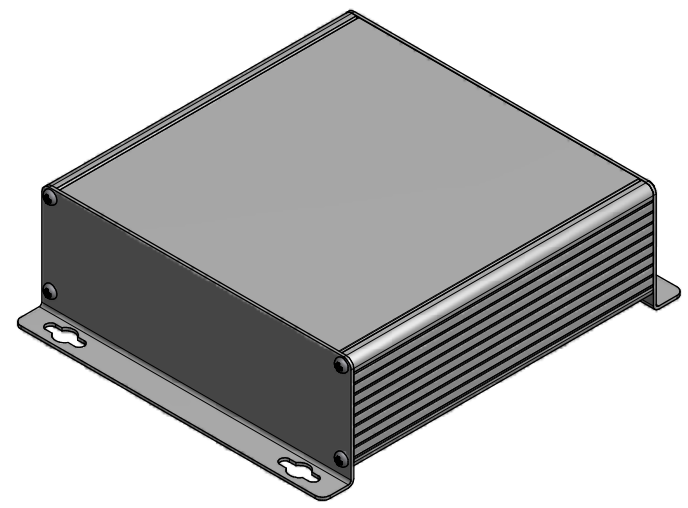
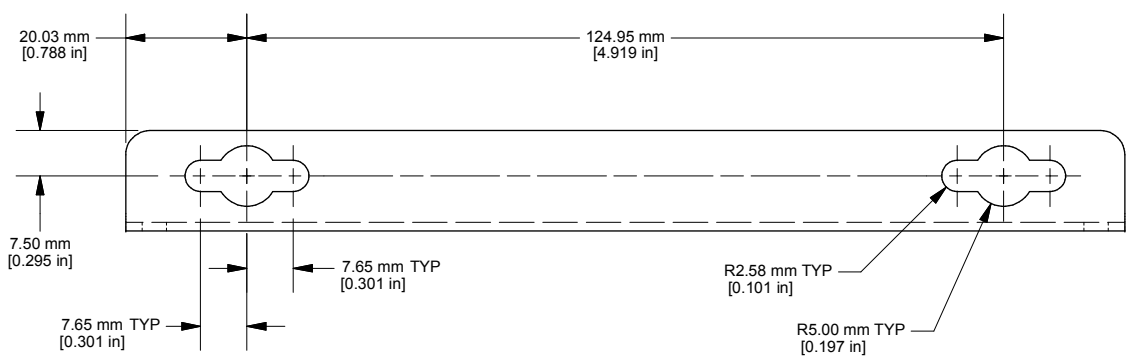
B



FLANGE

A

A



ASSEMBLY WITH FLANGES



HAMMOND  
MANUFACTURING™

1455TF

www.hammondmfg.com

2

1

