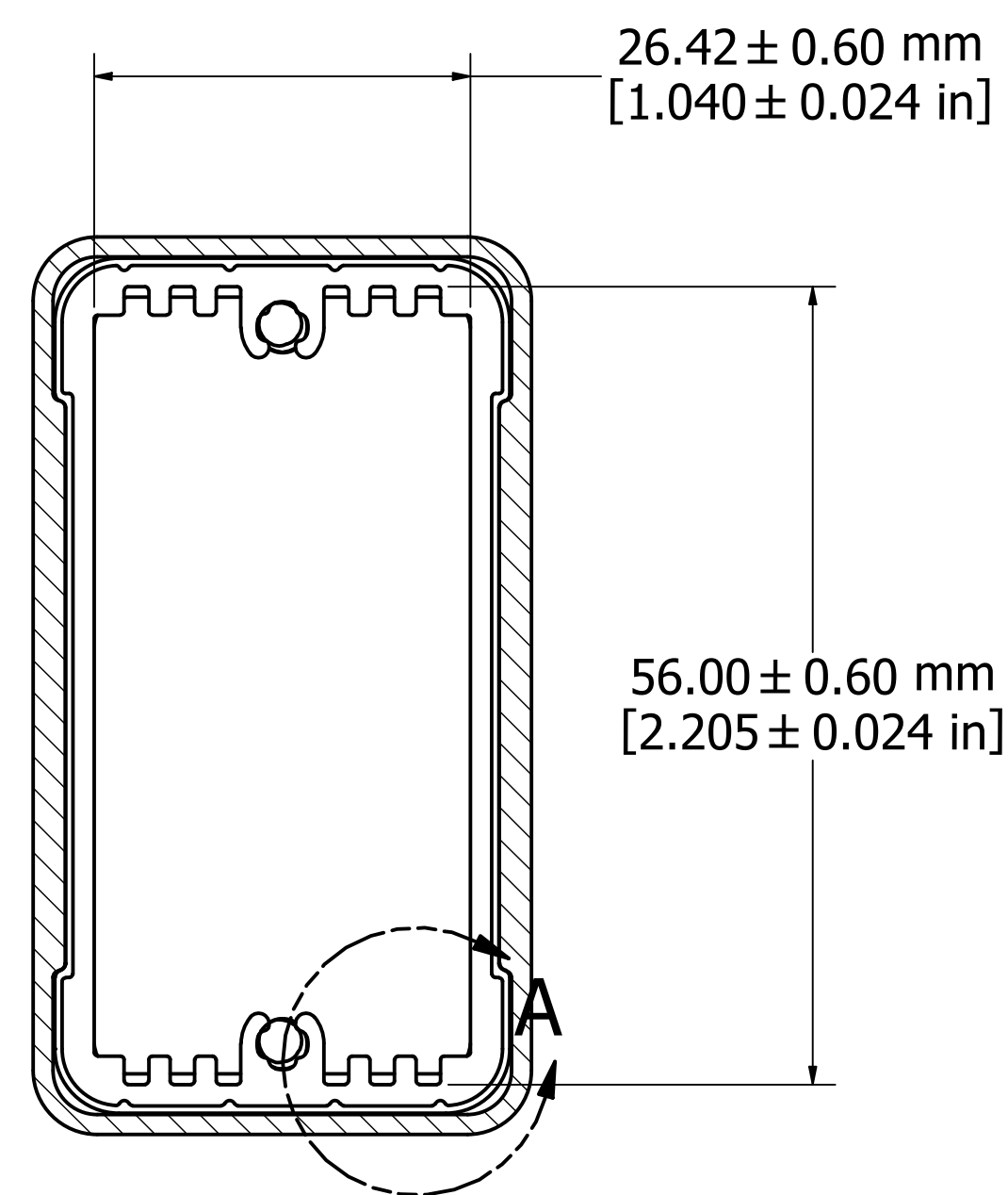
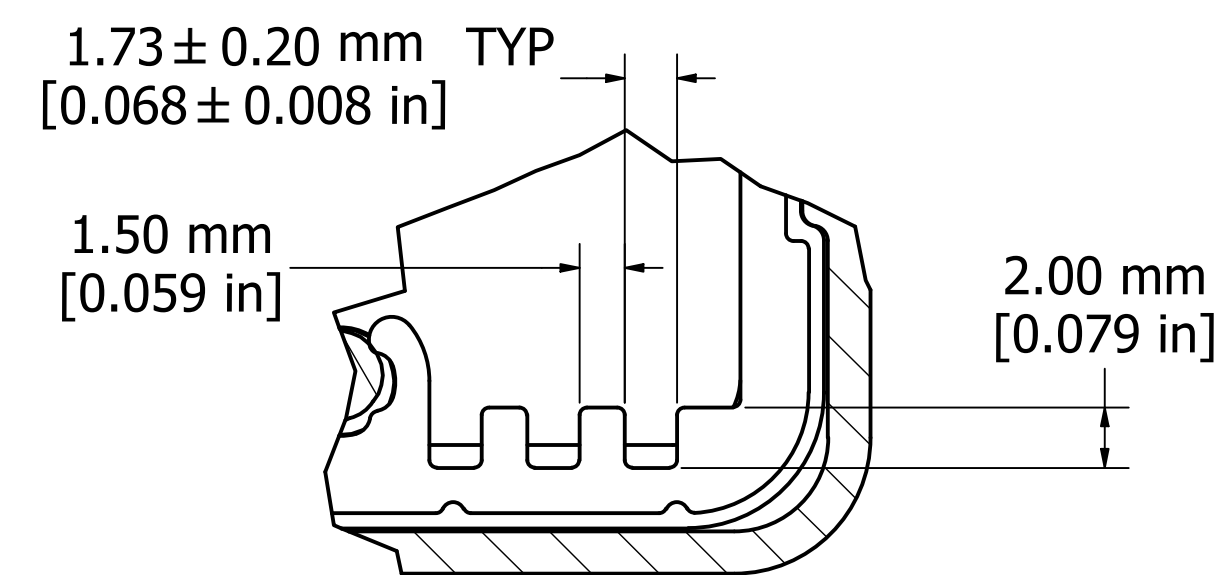


ASSEMBLY - TOP VIEW

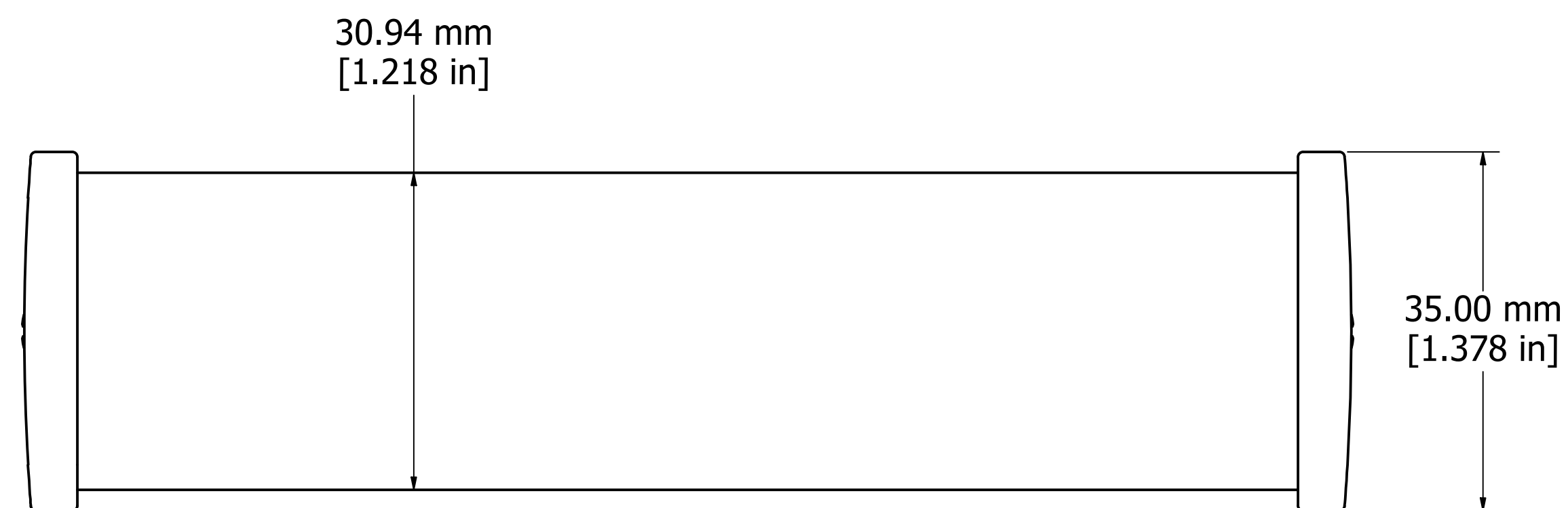
.75mm (.030") Deep Recess For Labels/Keypads etc.



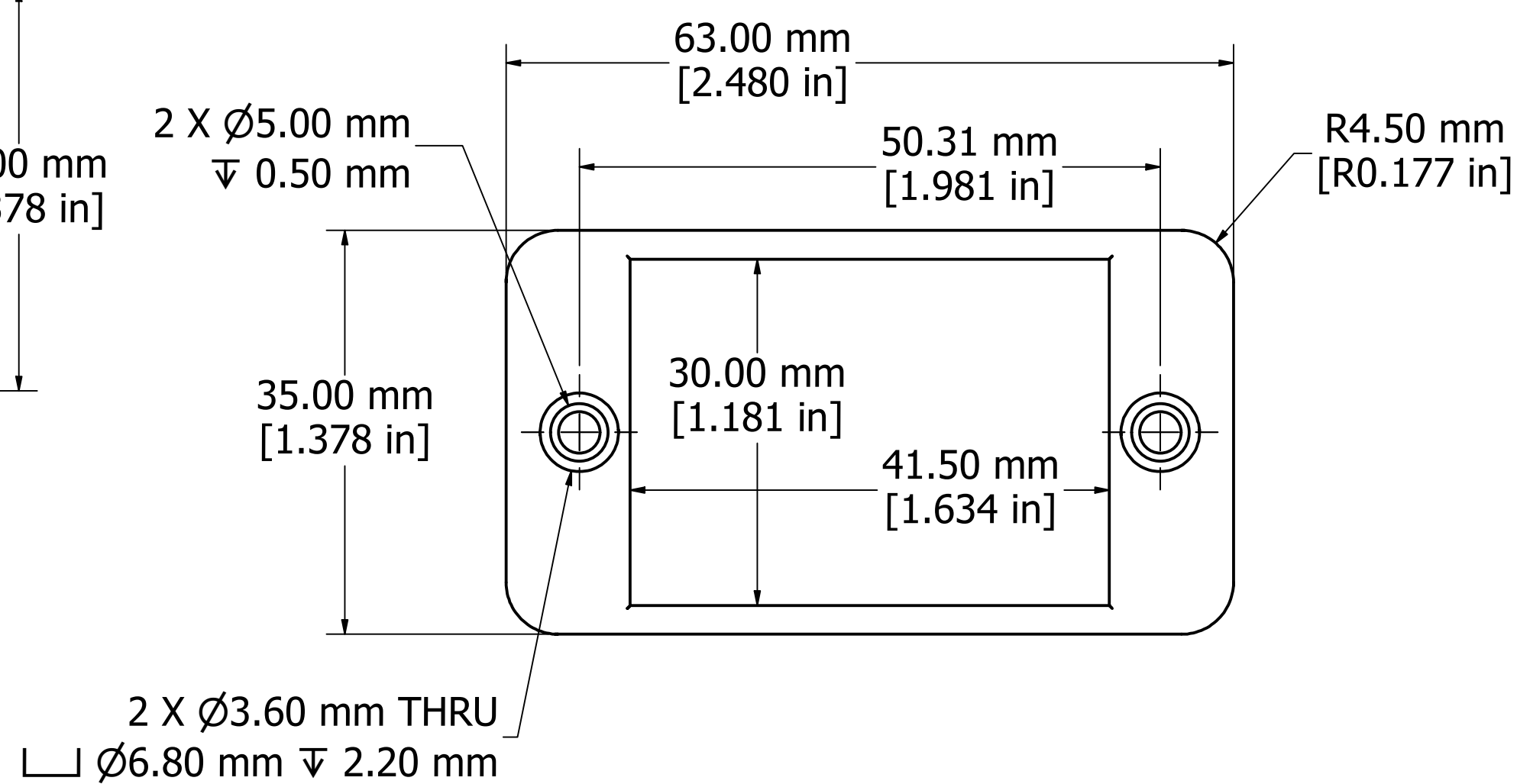
SECTION A-A



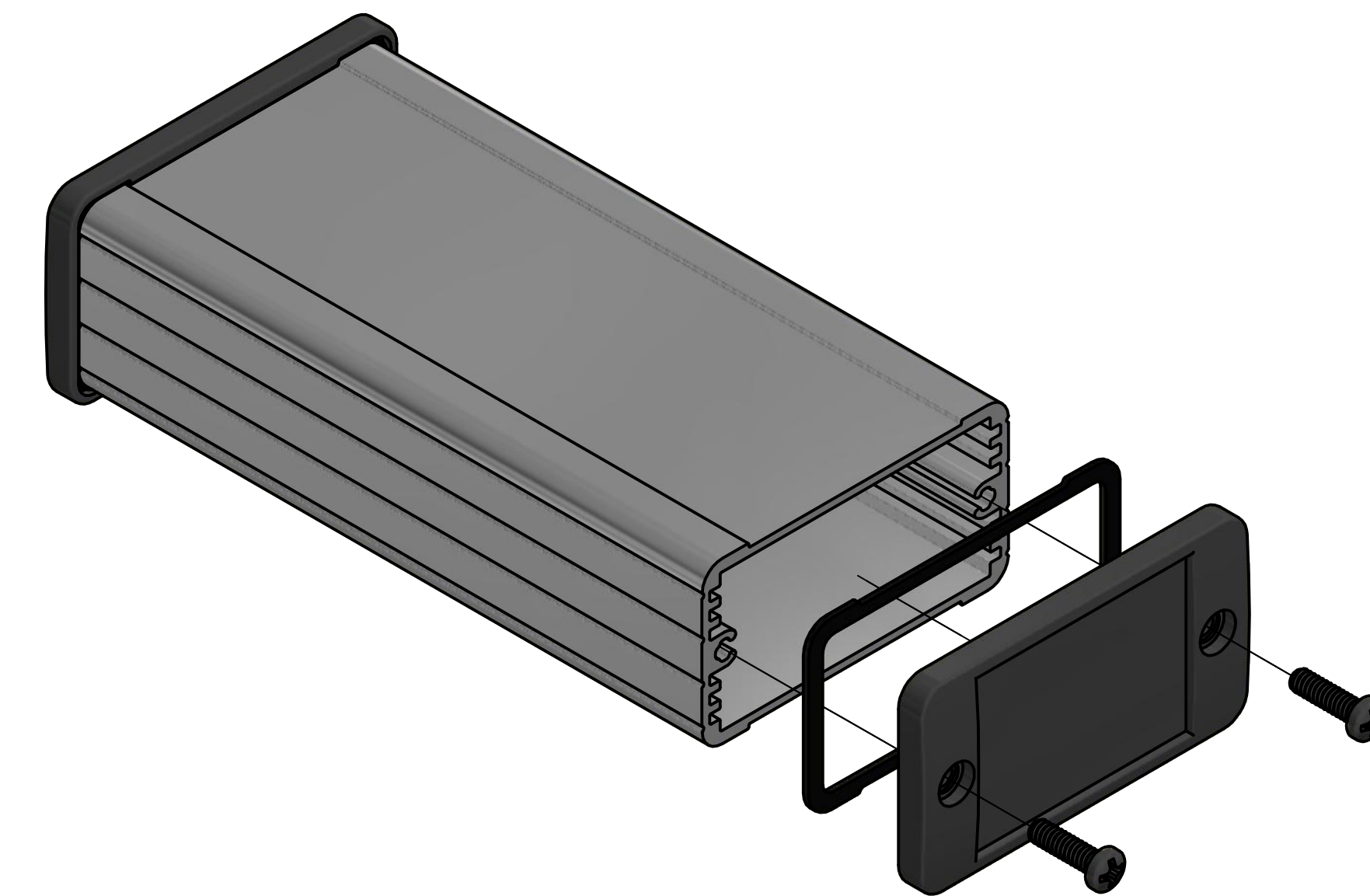
DETAIL A



ASSEMBLY - SIDE VIEW



END PANEL - VIEW FROM OUTSIDE



PROTECTION TO IP 65

Enclosures can be Factory Modified (Milling, Drilling, Printing etc.)
 Contact Factory mjm@hammondmfg.com for quotes
 Solid models of this enclosure available in STEP or IGES.

NOTE

Purchased assembly includes box, end panels, #6 Taptight screws with o-rings, self adhesive rubber feet, and gaskets
 Box made from Extruded Aluminum 6063.
 End panels made from Type 380 Diecast Aluminum with a black powder paint finish.

WATERPROOF 1457C1201

PART NUMBERS

Clear anodized box with black powder painted end panels	1457C1201
Black powder painted box and end panels	1457C1201BK
EMI/RFI SHIELDED (IP 54)	
Clear anodized box with black powder painted end panels	1457C1201E
Black powder painted box and end panels	1457C1201EBK

ACCESSORIES

See website for accessories.

Fits 120mm (4.724") X 55.0mm (2.165") PCB

