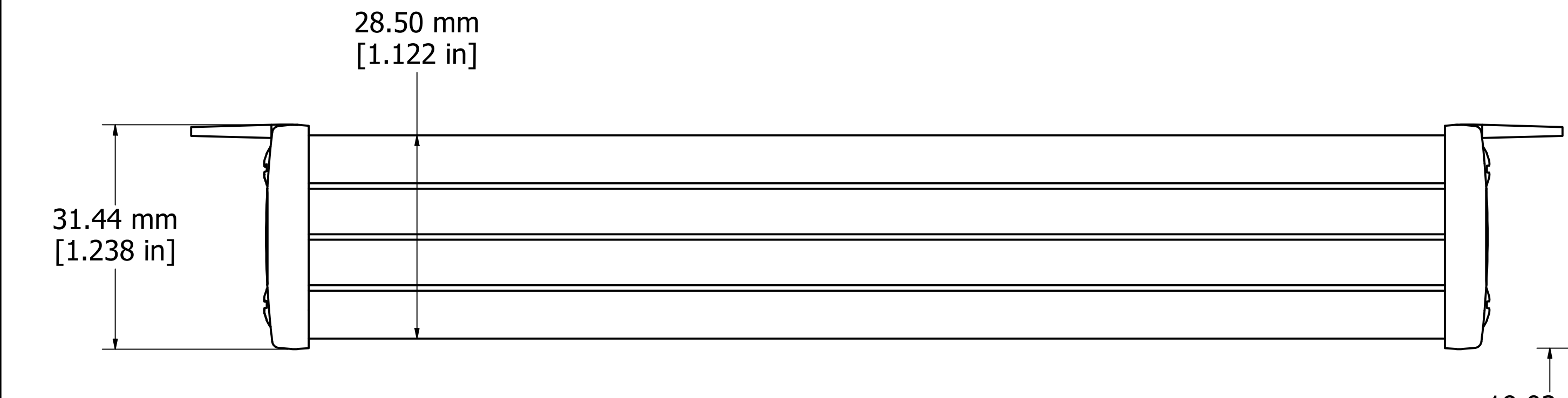
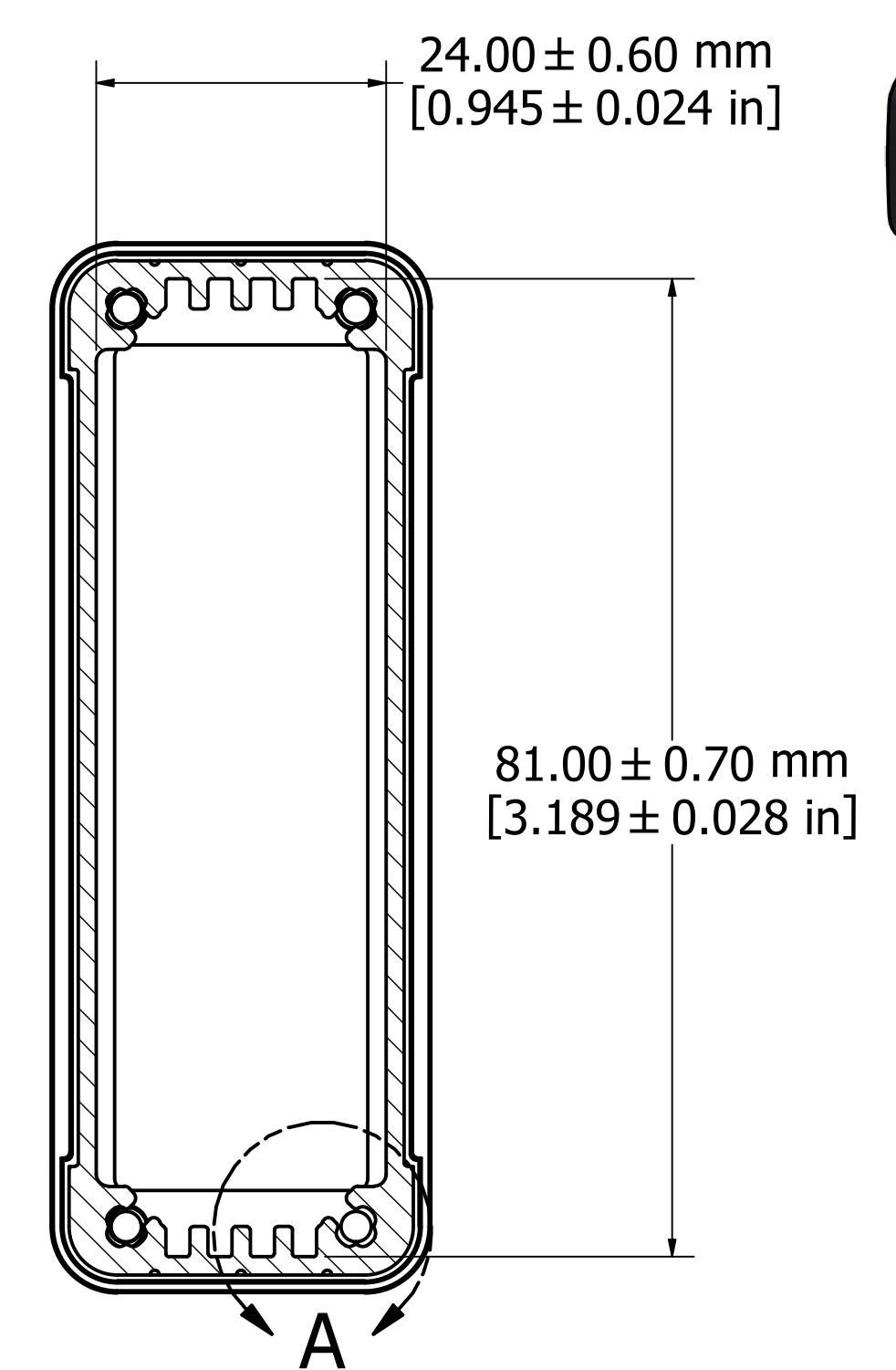


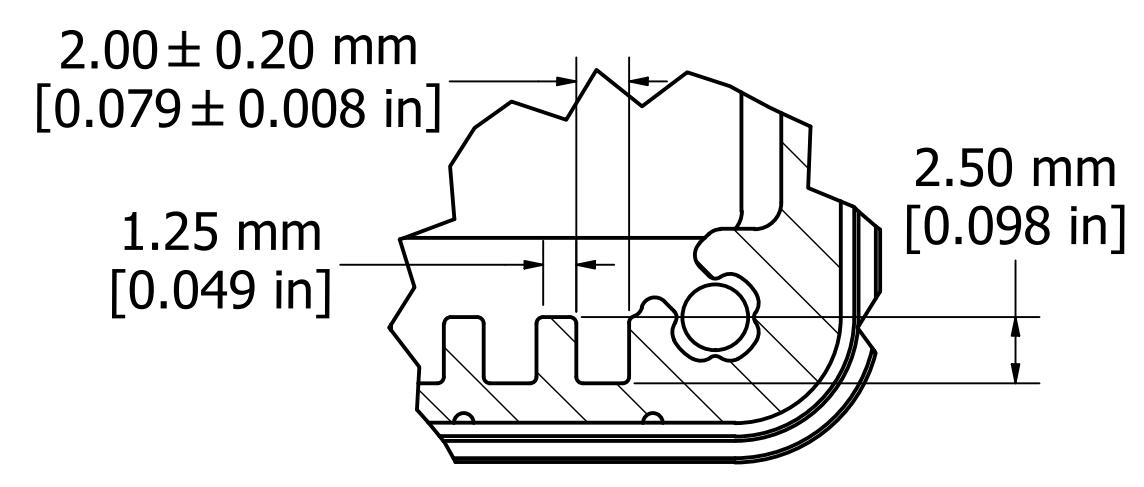
ASSEMBLY - TOP VIEW



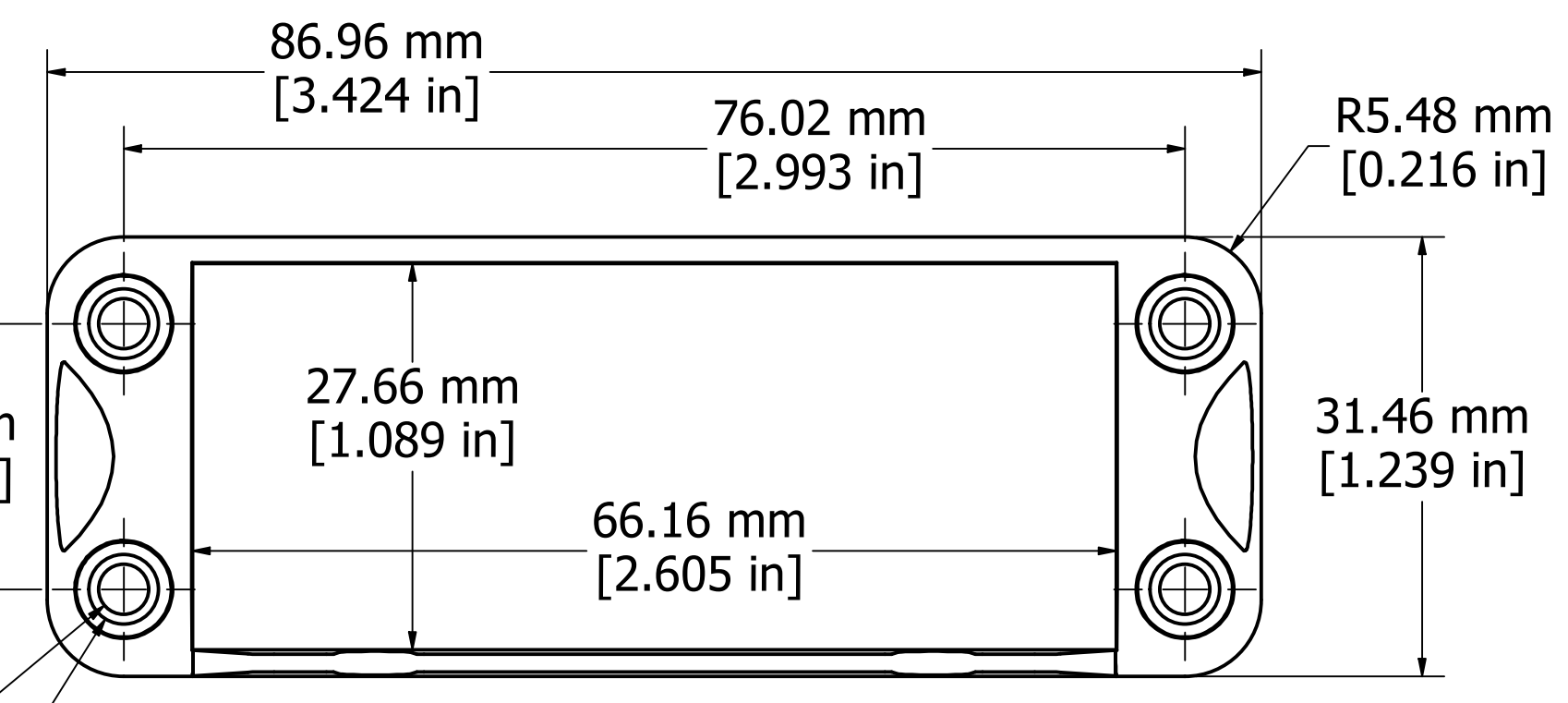
ASSEMBLY - SIDE VIEW



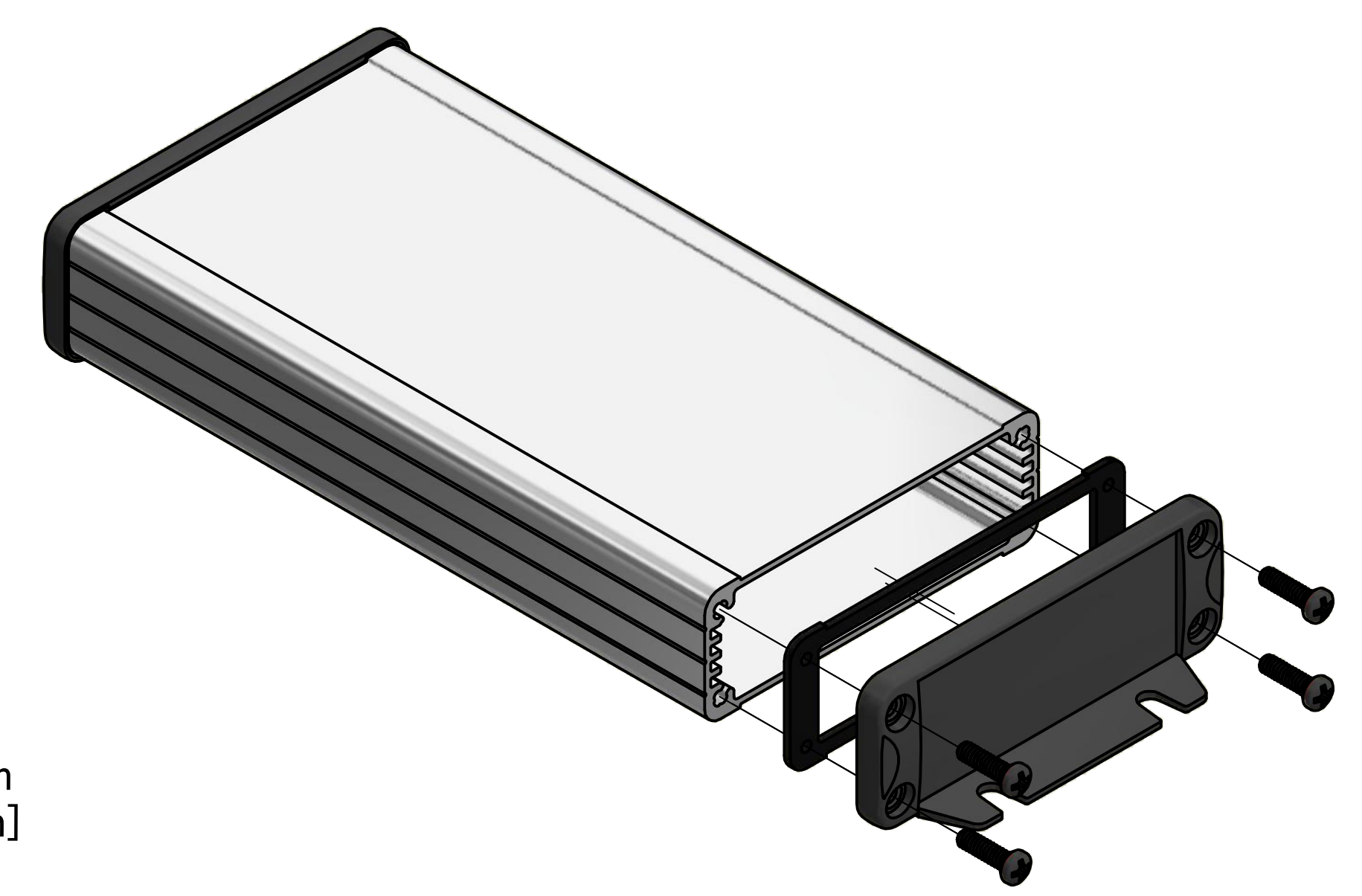
SECTION A-A



DETAIL A



END PANEL - VIEW FROM OUTSIDE



PROTECTION TO IP 65

Enclosures can be Factory Modified ( Milling, Drilling, Printing etc. )  
 Contact Factory [mjm@hammondmfg.com](mailto:mjm@hammondmfg.com) for quotes  
 Solid models of this enclosure available in STEP or IGES.

NOTE	
Purchased assembly includes box, end panels, #6 Taptight screws w/ O-rings, self adhesive rubber feet, and gaskets	
Box made from Extruded Aluminum 6063.	
End panels made from ADC-12 Diecast Aluminum with a black powder paint finish.	
WATERPROOF 1457J1602	
PART NUMBERS	
Clear anodized box with black powder painted end panels	1457J1602
Black powder painted box and end panels	1457J1602BK
EMI/RFI SHIELDED (IP 54)	
Clear anodized box with black powder painted end panels	1457J1602E
Black powder painted box and end panels	1457J1602EBK
ACCESSORIES	
See website for accessories.	

Fits 160mm (6.299") X 80mm (3.149") PCB

**HAMMOND  
MANUFACTURING™**

**1457J1602**

[www.hammondmfg.com](http://www.hammondmfg.com)