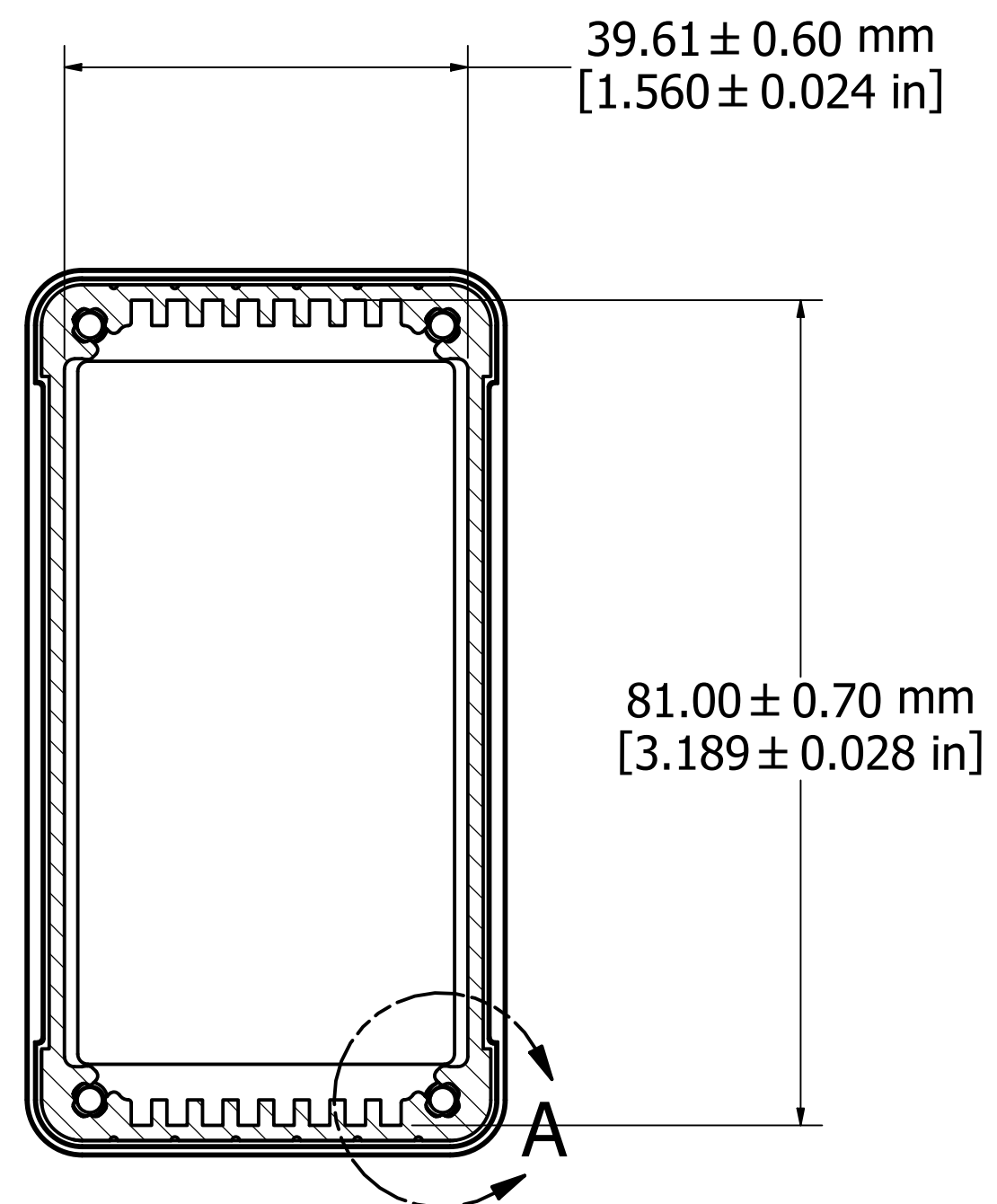
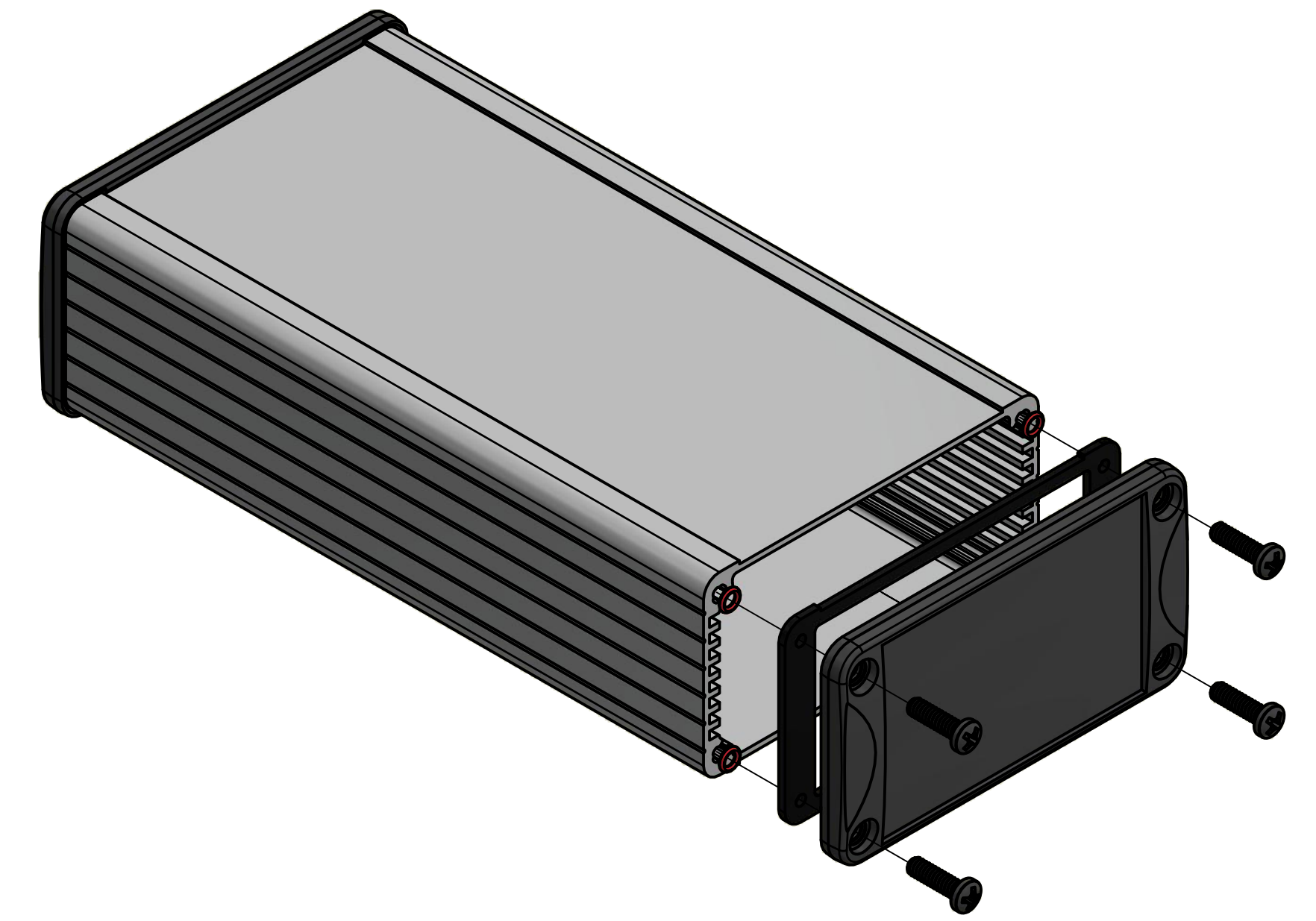


ASSEMBLY - VIEW FROM TOP

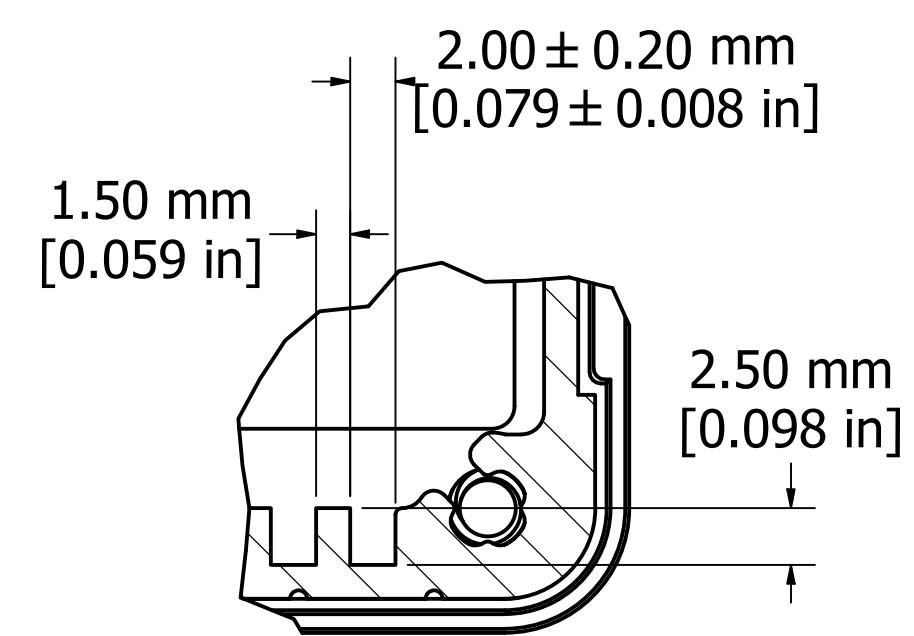


SECTION A-A

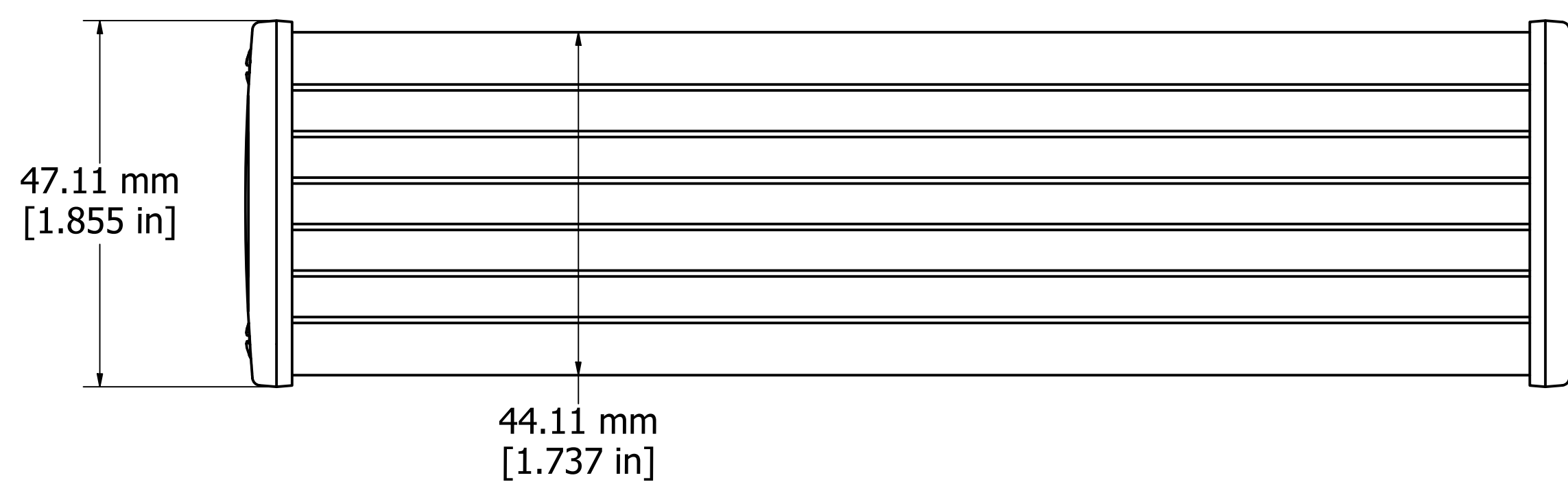


PROTECTION TO IP 65

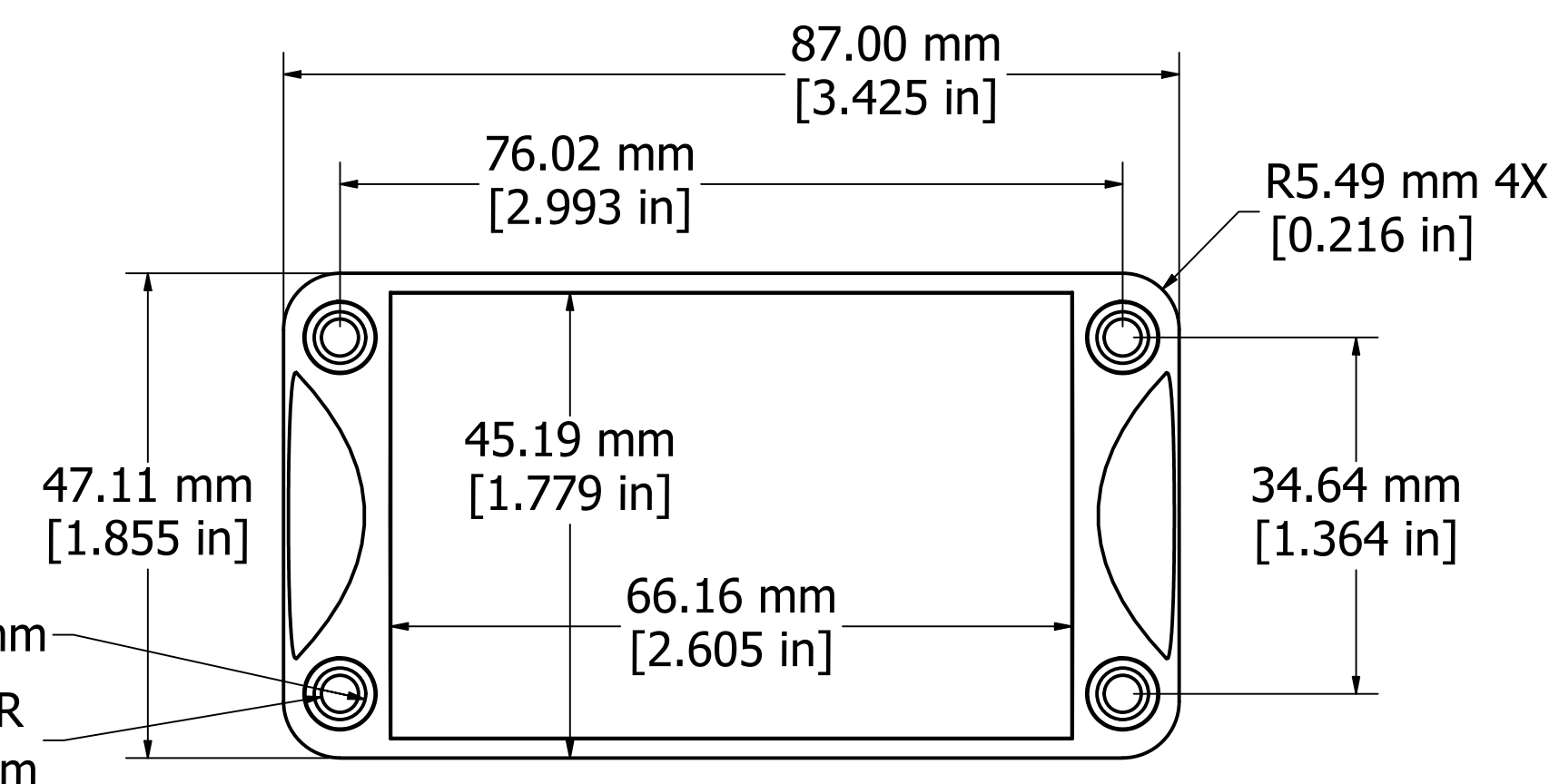
Enclosures can be Factory Modified (Milling, Drilling, Printing etc.)
 Contact Factory mjm@hammondmfg.com for quotes
 Solid models of this enclosure available in STEP or IGES.



DETAIL A



ASSEMBLY - SIDE VIEW



END PANEL - VIEW FROM OUTSIDE

NOTE	
Purchased assembly includes box, end panels, #6 Taptight screws w/ O-Rings., self adhesive rubber feet, and gaskets	
Box made from Extruded Aluminum 6063.	
End panels made from Type 380 Diecast Aluminum with a black powder paint finish.	
WATERPROOF 1457K1601	
PART NUMBERS	
Clear anodized box with black powder painted end panels	1457K1601
Black powder painted box and end panels	1457K1601BK
EMI/RFI SHIELDED (IP 54)	
Clear anodized box with black powder painted end panels	1457K1601E
Black powder painted box and end panels	1457K1601EBK
ACCESSORIES	
See website for accessories.	

Fits 160mm (6.299") X 80mm (3.149") PCB
 Note: Aluminum extrusion has a tolerance of -/+ .02"

HAMMOND MANUFACTURING™
1457K1601
www.hammondmfg.com