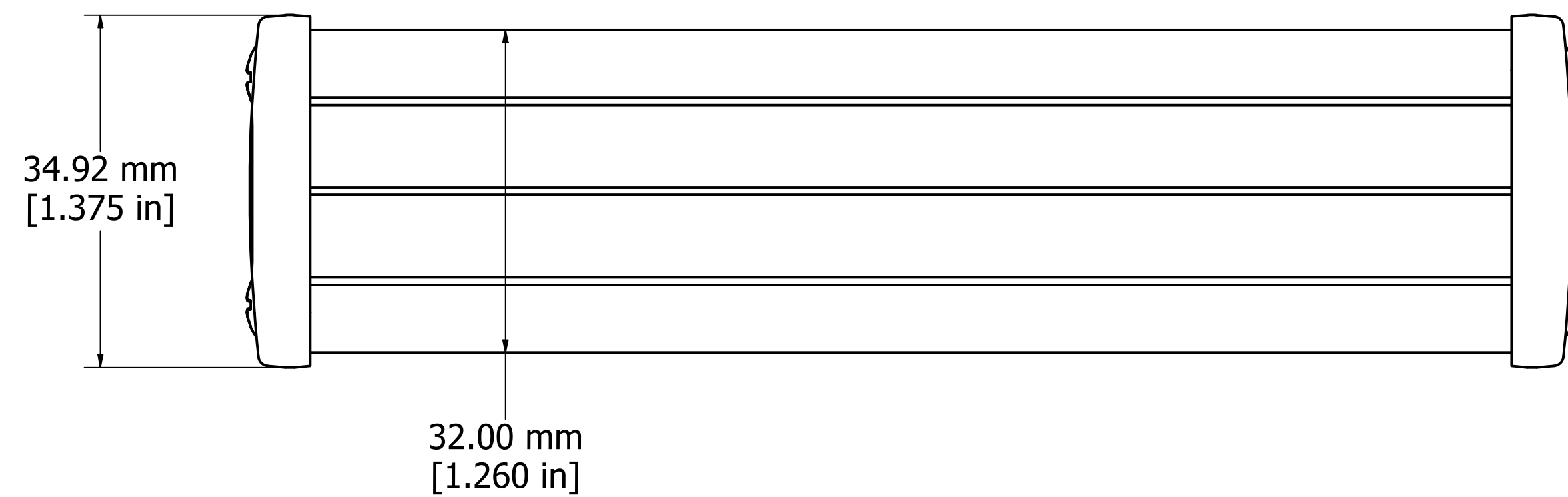
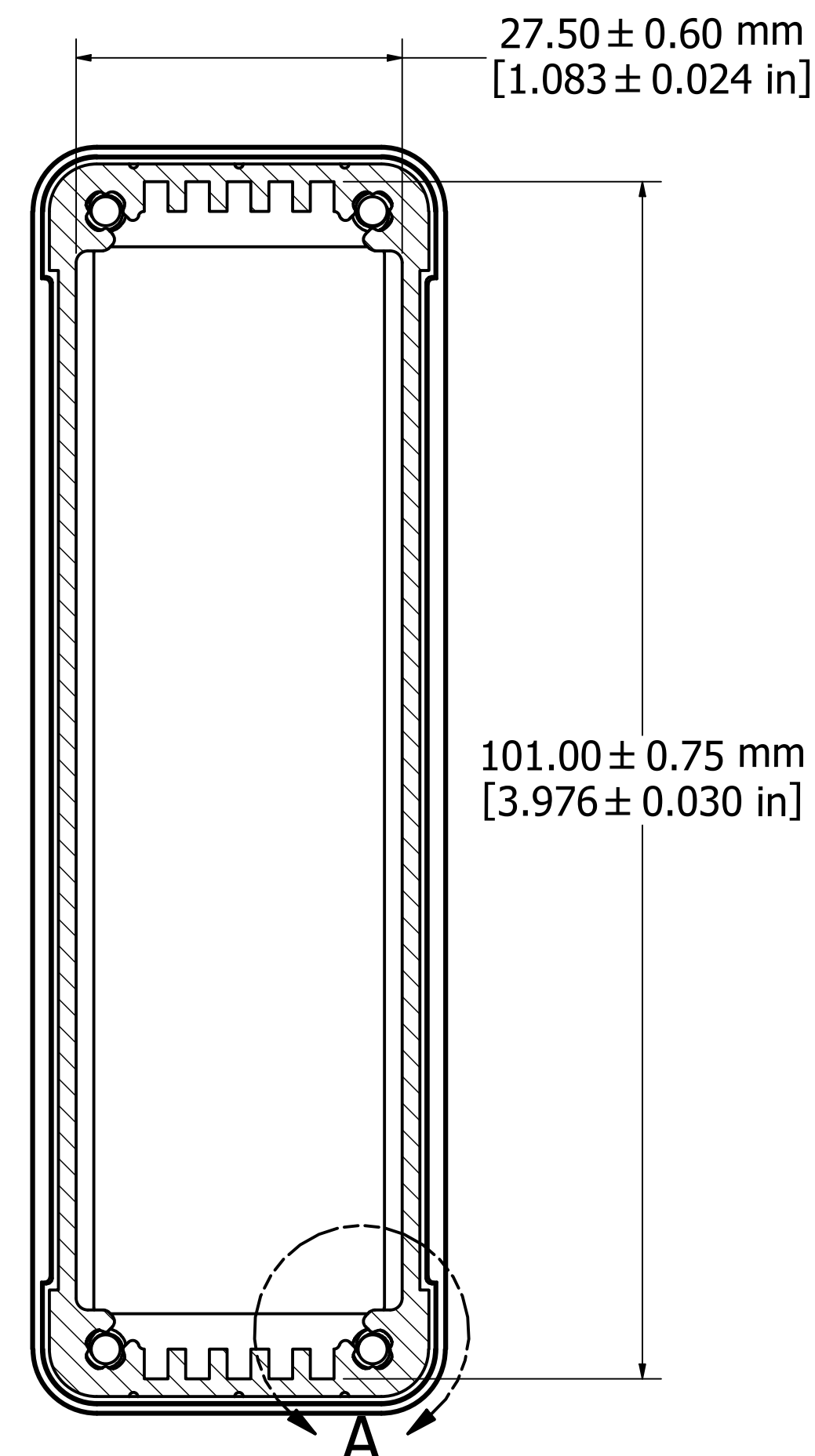


ASSEMBLY - TOP VIEW

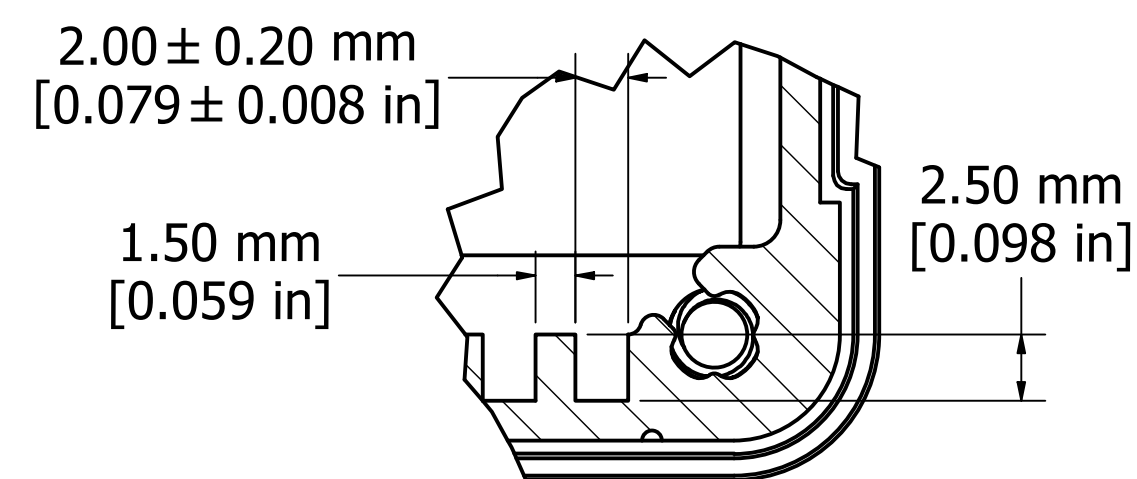


ASSEMBLY - SIDE VIEW

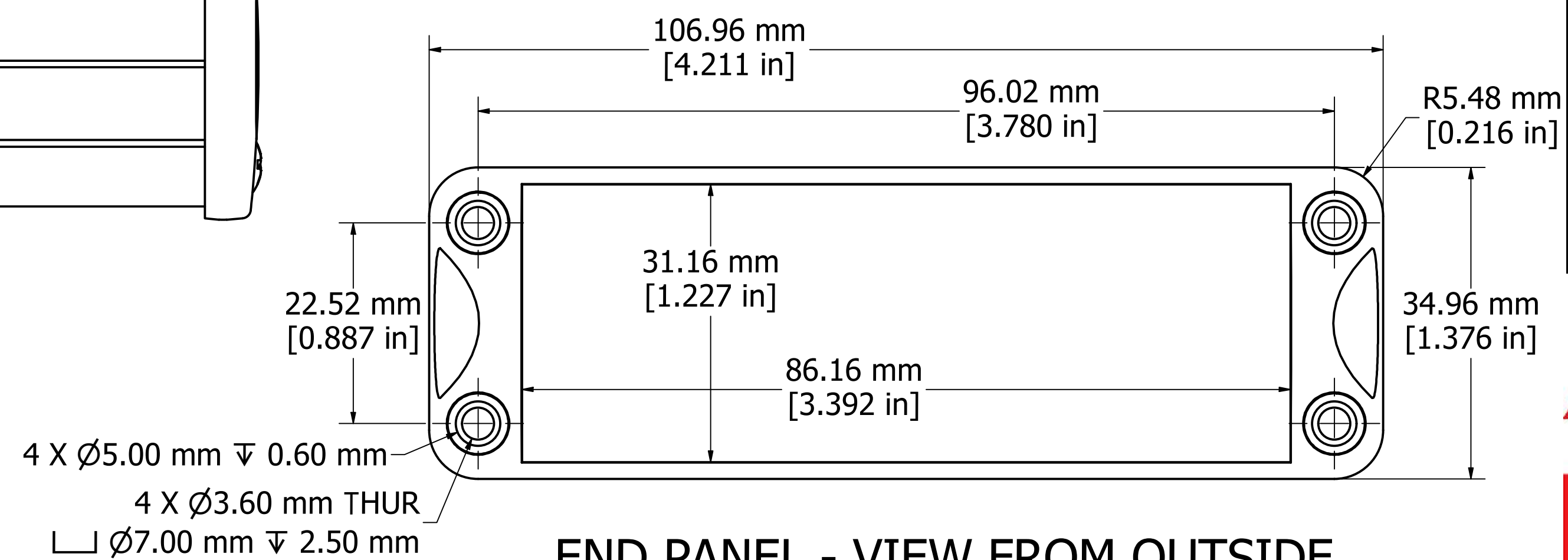
Fits 120mm (4.724") X 100mm (3.937") PCB



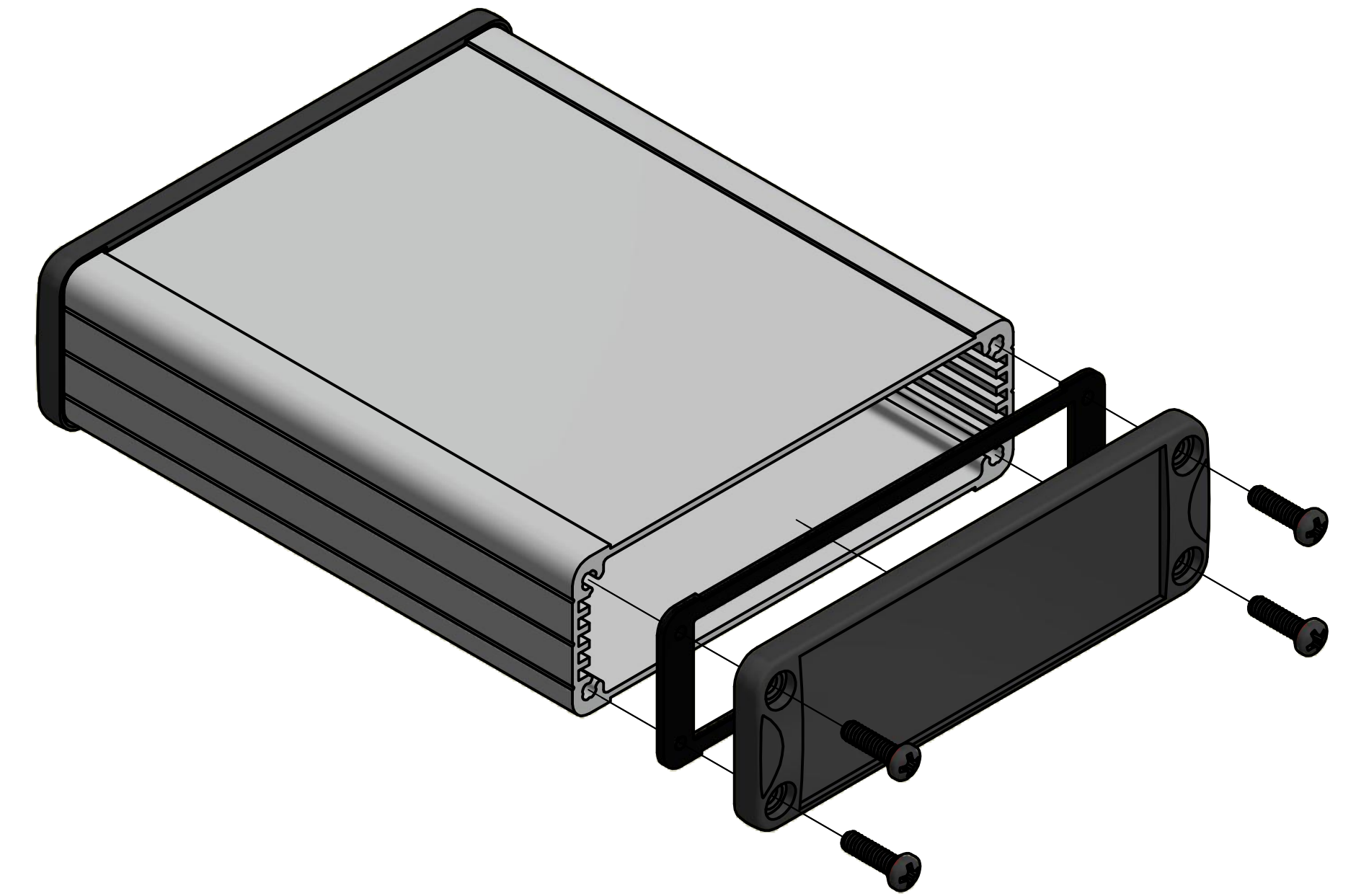
SECTION A-A



DETAIL A



END PANEL - VIEW FROM OUTSIDE



PROTECTION TO IP 65

Enclosures can be Factory Modified (Milling, Drilling, Printing etc.)
 Contact Factory mjm@hammondmfg.com for quotes
 Solid models of this enclosure available in STEP or IGES.

| NOTE | |
|--|---------------|
| Purchased assembly includes box, end panels, #6 Taptight screws w/ O-Rings, self adhesive rubber feet, and gaskets | |
| Box made from Extruded Aluminum 6063. | |
| End panels made from ADC-12 Diecast Aluminum with a black powder paint finish. | |
| WATERPROOF 1457L 1201 | |
| PART NUMBERS | |
| Clear anodized box with black powder painted end panels | 1457L 1201 |
| Black powder painted box and end panels | 1457L 1201BK |
| EMI/RFI SHIELDED (IP 54) | |
| Clear anodized box with black powder painted end panels | 1457L 1201E |
| Black powder painted box and end panels | 1457L 1201EBK |
| ACCESSORIES | |
| See website for accessories. | |

HAMMOND MANUFACTURING™
1457L1201
www.hammondmfg.com