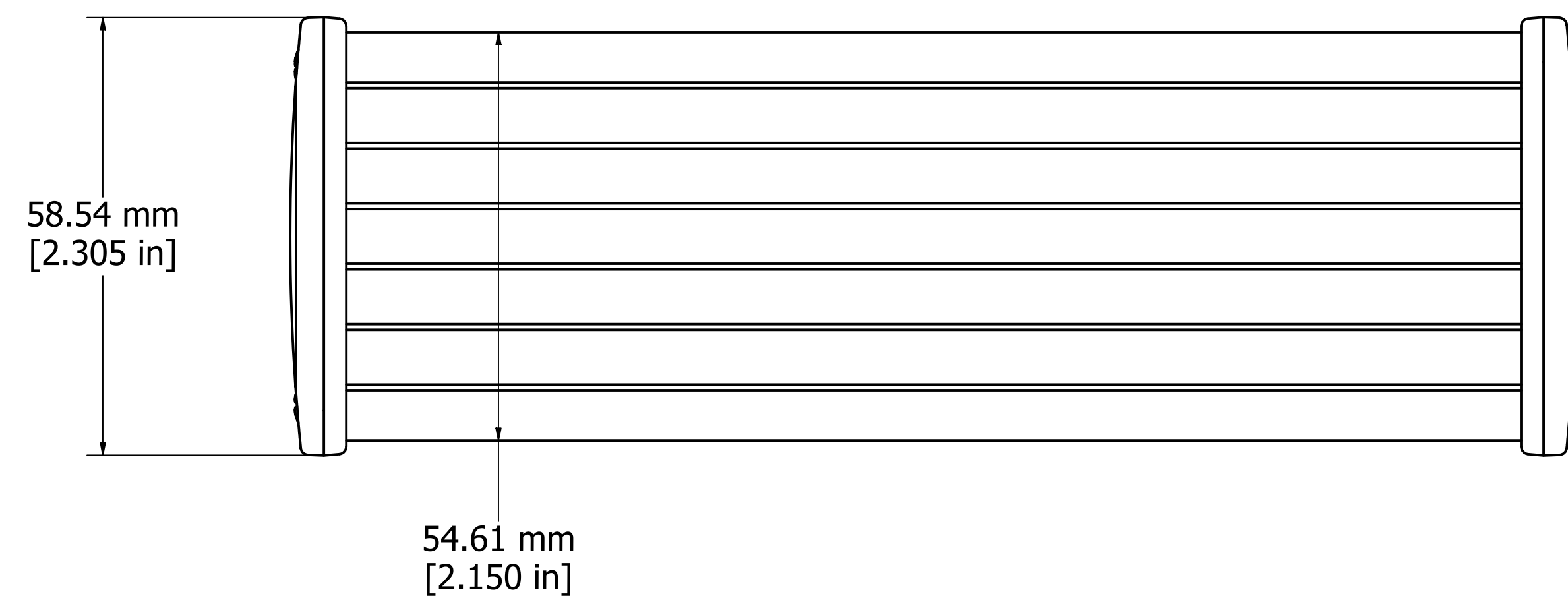
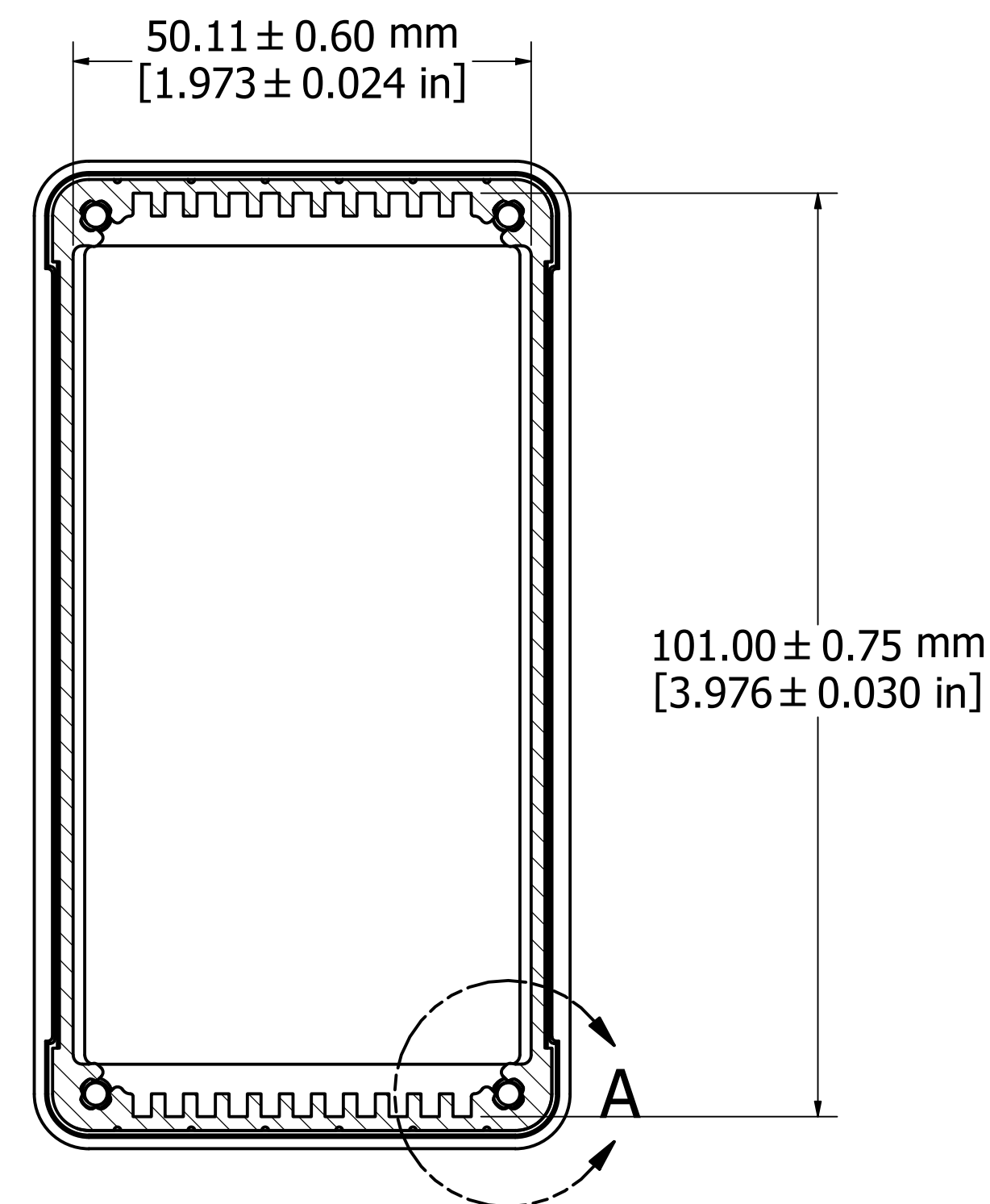


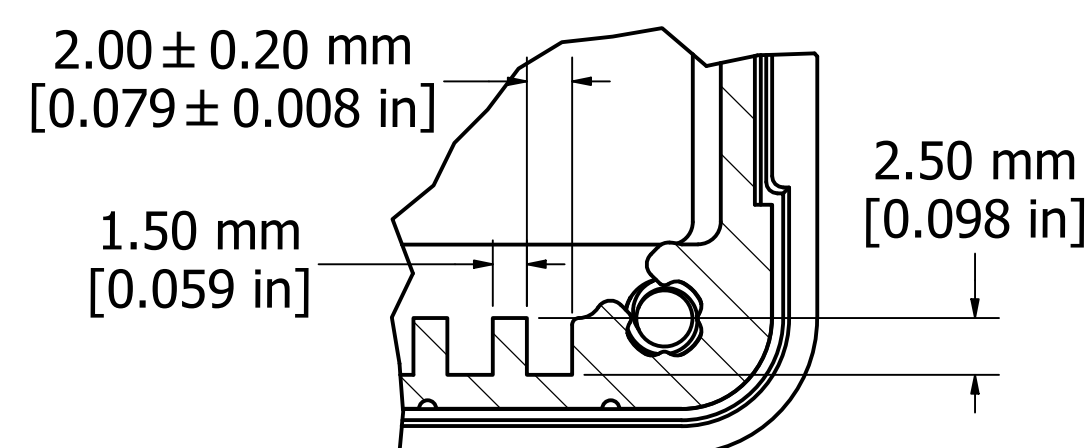
ASSEMBLY - TOP VIEW



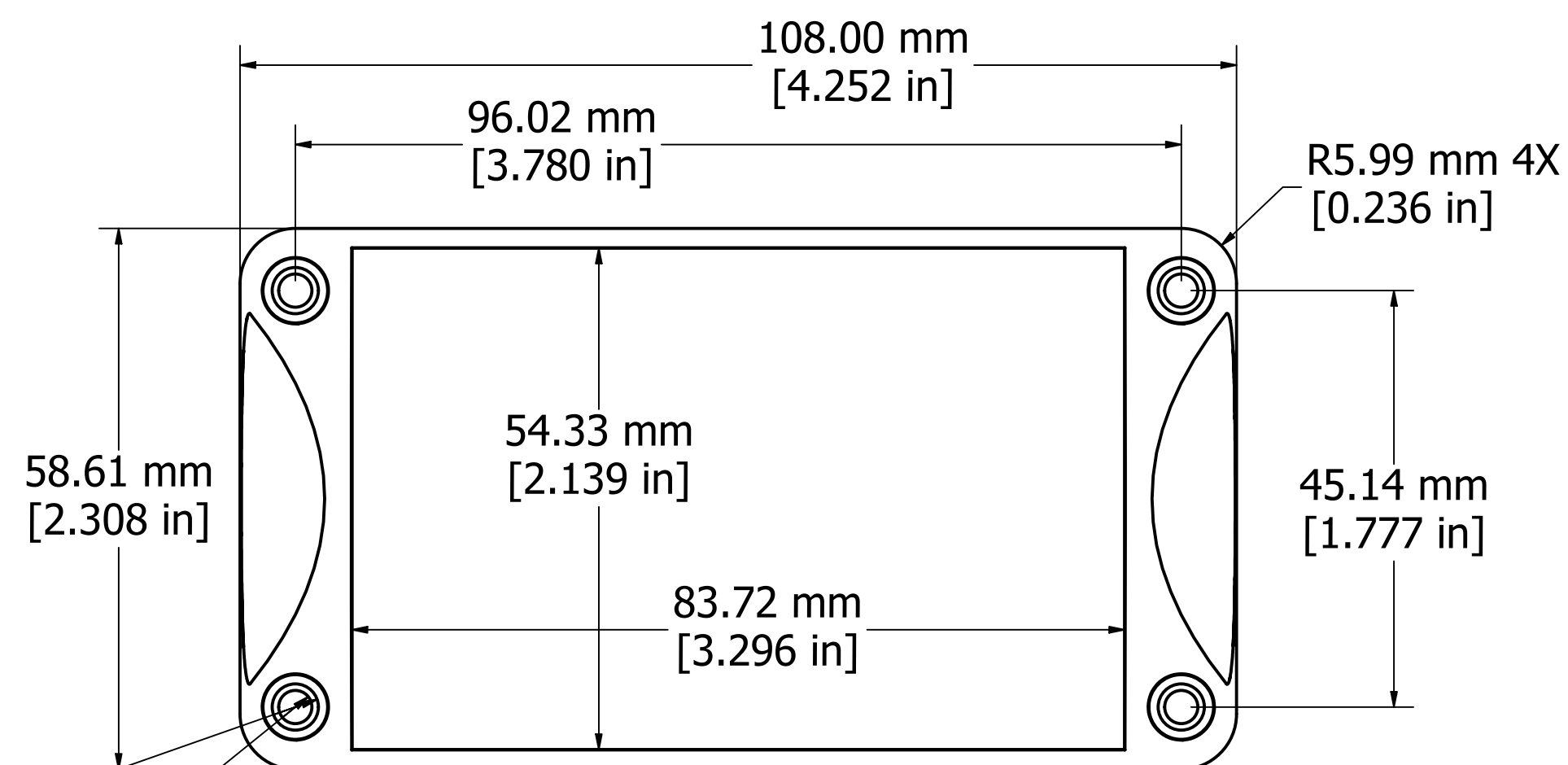
ASSEMBLY - SIDE VIEW



SECTION A-A

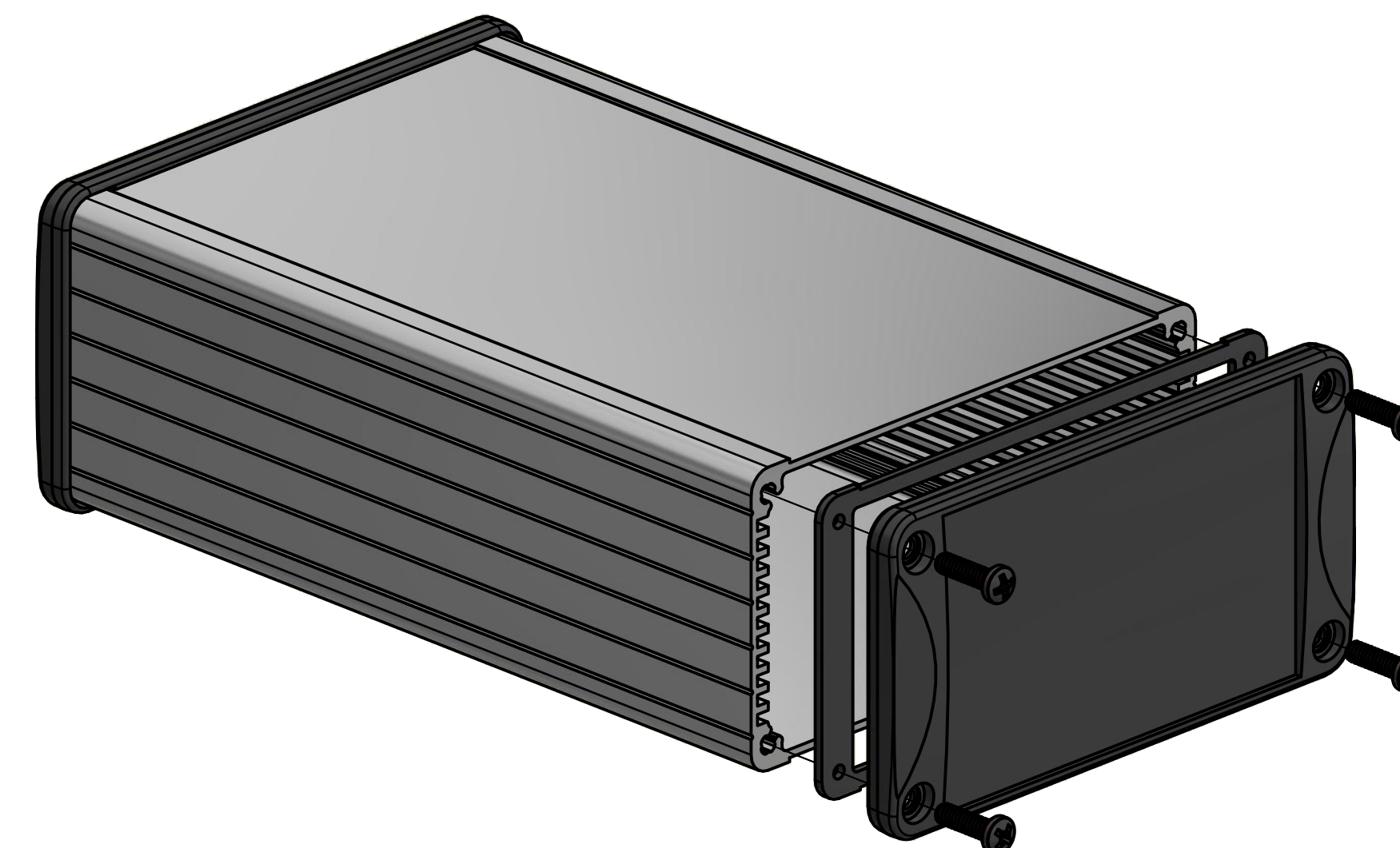


DETAIL A



END PANEL - VIEW FROM OUTSIDE

4 X \varnothing 5.00 mm ∇ 0.60 mm
 4 X \varnothing 3.60 mm THUR
 7.00 mm ∇ 2.50 mm



PROTECTION TO IP 65

Enclosures can be Factory Modified (Milling, Drilling, Printing etc.)
 Contact Factory mjm@hammondmfg.com for quotes
 Solid models of this enclosure available in STEP or IGES.

NOTE	
Purchased assembly includes box, end panels, #6 Taptight screws w/ O-Rings, self adhesive rubber feet, and gaskets.	
Box made from Extruded Aluminum 6063.	
End panels made from Type 380 Diecast Aluminum with a black powder paint finish.	
WATERPROOF 1457N1601	
PART NUMBERS	
Clear anodized box with black powder painted end panels	1457N1601
Black powder painted box and end panels	1457N1601BK
EMI/RFI SHIELDED (IP 54)	
Clear anodized box with black powder painted end panels	1457N1601E
Black powder painted box and end panels	1457N1601EBK
ACCESSORIES	
See website for accessories.	

Fits 120mm (4.724") X 100mm (3.937") PCB

HAMMOND MANUFACTURING™
1457N1601
www.hammondmfg.com