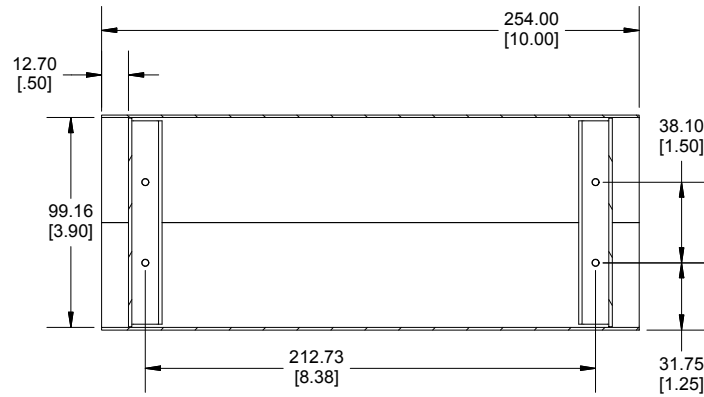
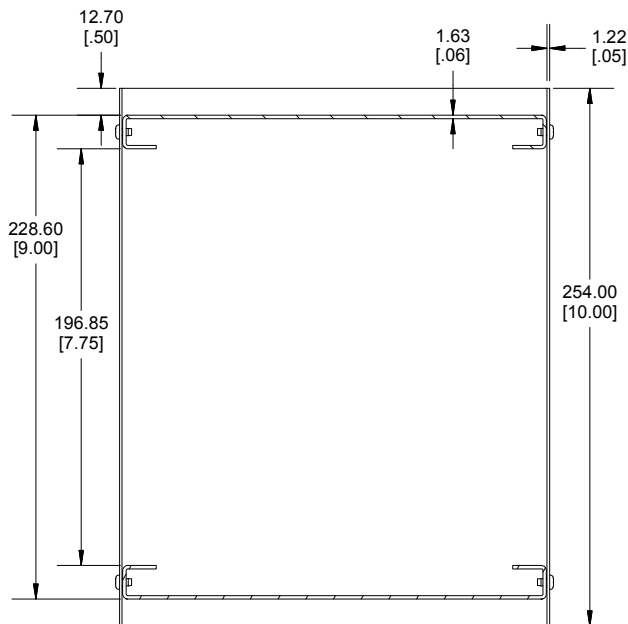
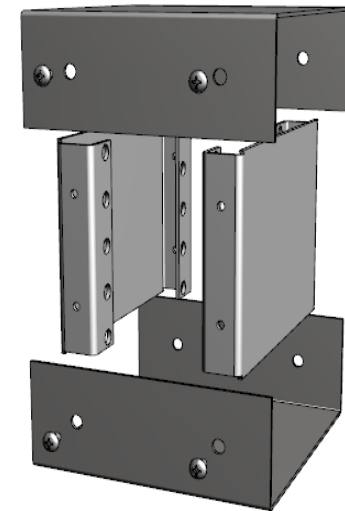


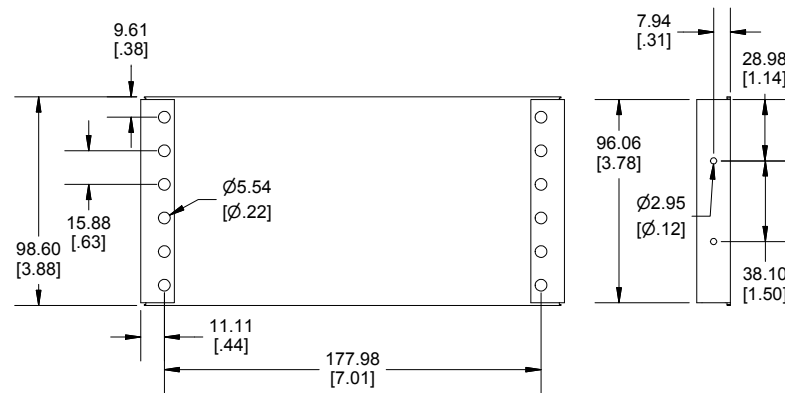
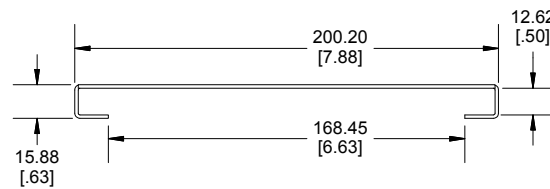
END VIEW



SECTION A-A  
SIDE VIEW



SECTION B-B  
TOP VIEW



END PLATE

Enclosures can be Factory Modified (Milling, Drilling, Printing etc.)  
Contact Factory (modshop@hammondmg.com) for quotes  
Solid models of this enclosure available in .stp or .x\_t  
(Part number and text placement/orientation on our products are subject to change,  
we do not recommend using them as a locating reference for modification purposes)

**NOTE**

Purchased assembly includes Top, Bottom, Black End Plate, Grey End Plate,  
8 Enclosure screws, and 4 Rubber feet.

**Recommended Cover screw torque 125-150 cN-m (11-13.3 lbf-in)**

**1458**

**1458 Regular Enclosure**

Top / Bottom powder coated Gulf Blue RAL 5021	1458E4B
Top / Bottom powder coated Black RAL 9011	1458E4
<b>ACCESSORIES</b>	
Nickel plated Enclosure screws [#6-32 x 1/4"] Self-Tapping (Pkg 8)	1421J8
Rubber Feet (Pkg 24)	1421T3

Dimensions:  
mm  
[inches]

**HAMMOND  
MANUFACTURING**

**1458E4**

www.hammondmg.com