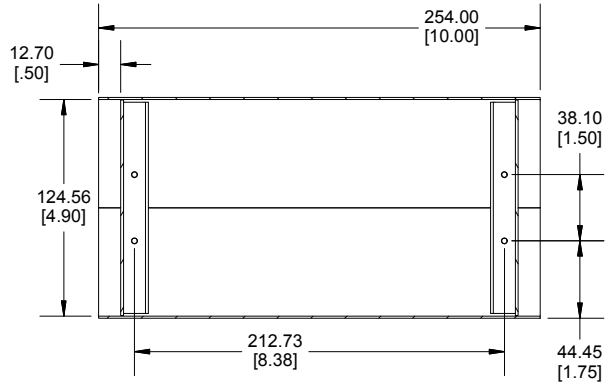
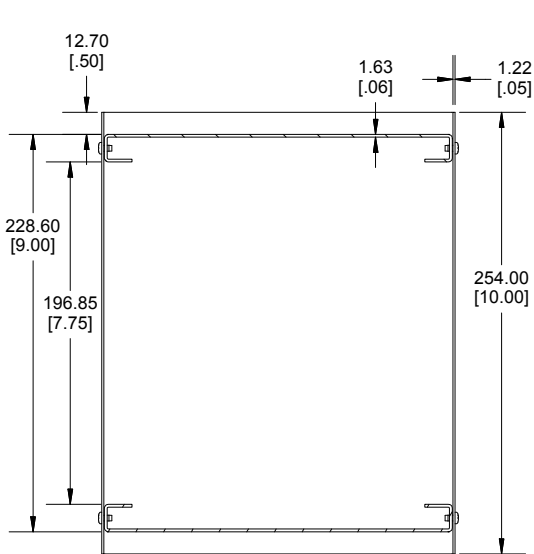
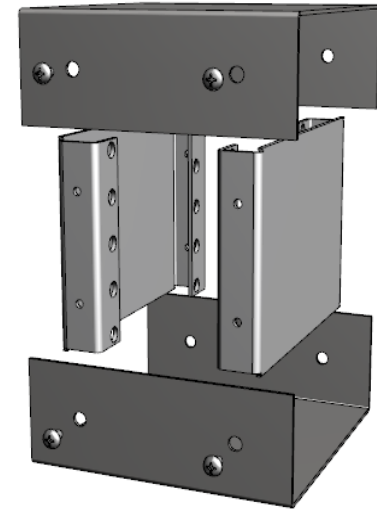


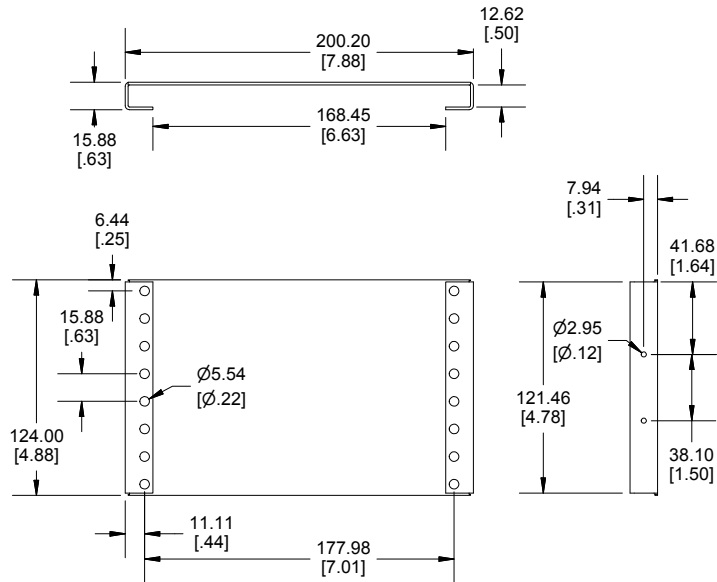
**END VIEW**



**SECTION A-A  
SIDE VIEW**



**SECTION B-B  
TOP VIEW**



**END PLATE**

Enclosures can be Factory Modified (Milling, Drilling, Printing etc.)  
 Contact Factory (modshop@hammondmg.com) for quotes  
 Solid models of this enclosure available in .stp or .x\_t  
 (Part number and text placement/orientation on our products are subject to change,  
 we do not recommend using them as a locating reference for modification purposes)

**NOTE**

Purchased assembly includes Top, Bottom, Black End Plate, Grey End Plate,  
 8 Enclosure screws, and 4 Rubber feet.

**Recommended Cover screw torque 125-150 cN-m (11-13.3 lbf-in)**

**1458**

**1458 Regular Enclosure**

Top / Bottom powder coated Gulf Blue RAL 5021	1458E5B
Top / Bottom powder coated Black RAL 9011	1458E5
<b>ACCESSORIES</b>	
Nickel plated Enclosure screws [#6-32 x 1/4"] Self-Tapping (Pkg 8)	1421J8
Rubber Feet (Pkg 24)	1421T3

**Dimensions:**  
 mm  
 [inches]

**HAMMOND  
 MANUFACTURING**  
**1458E5**  
[www.hammondmg.com](http://www.hammondmg.com)