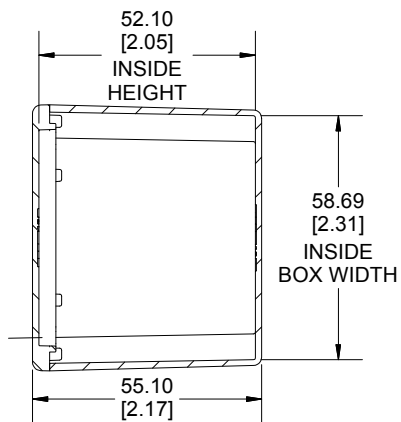
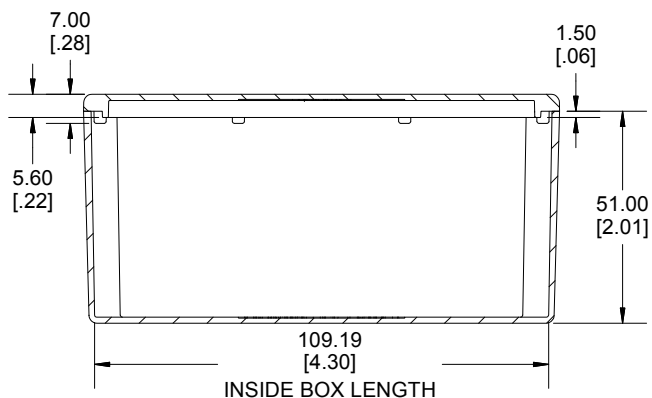


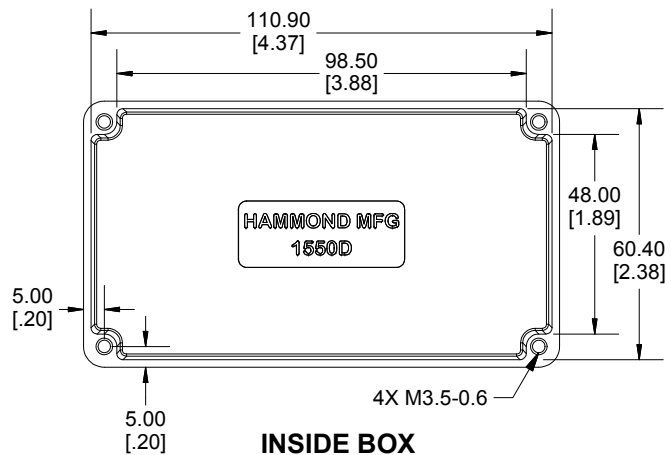
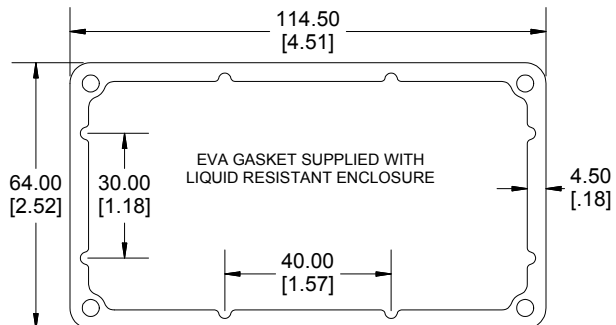
TOP VIEW



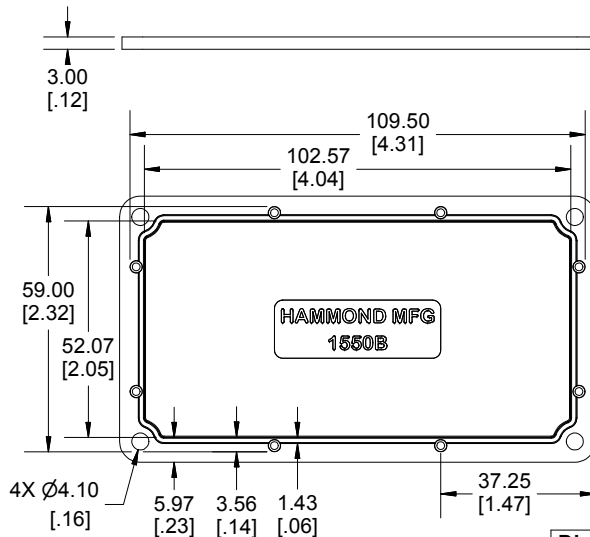
**SECTION A-A
END VIEW**



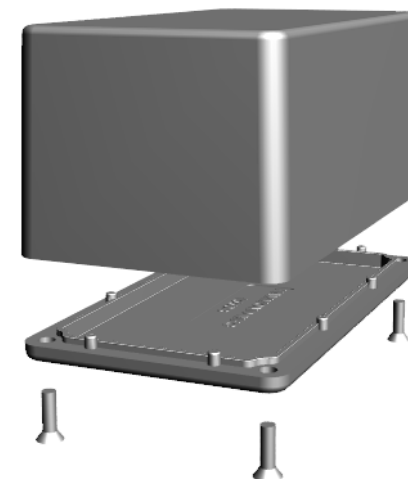
**SECTION B-B
SIDE VIEW**



INSIDE BOX



INSIDE LID



Enclosures can be Factory Modified (Milling, Drilling, Printing etc.)
Contact Factory mjm@hammondmfg.com for quotes
Solid models of this enclosure available in STEP or IGES.

NOTE

Purchased assembly includes box, lid and 4 cover screws.
Box and lid are made from Diecast Aluminum Alloy.
EVA Gasket supplied with liquid resistant enclosure.

PART NUMBERS

1550D Enclosure	
Natural Finish Enclosure	1550D
Black Textured Enclosure	1550DBK
1550D Liquid Resistant Enclosure (EVA Gasket)	
Natural Finish Enclosure	1550WD
Black Textured Enclosure	1550WDBK

ACCESSORIES

Recommended Torque: 75 ozf.in / 55 cN.m

Standard Cover Screws

Plated Cover Screws (Pkg 100) [M3.5-0.6 x 12mm]	1550MS100
Black Cover Screws (Pkg 100) [M3.5-0.6 x 12mm]	1550MS100BK
EVA Pre-formed Gasket Black	1550BEGASKET
Silicone Pre-formed Gasket Black	1550BSGASKET

**HAMMOND
MANUFACTURING®**

1550D

www.hammondmfg.com

Dimensions:
mm
[inches]