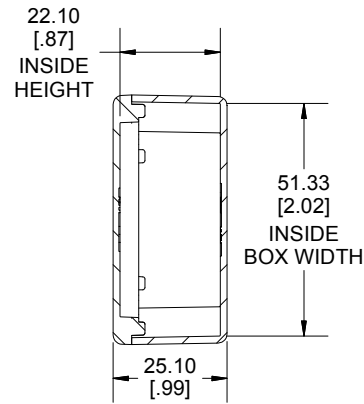
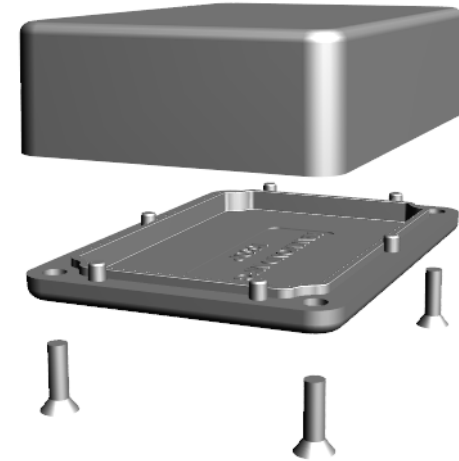


TOP VIEW

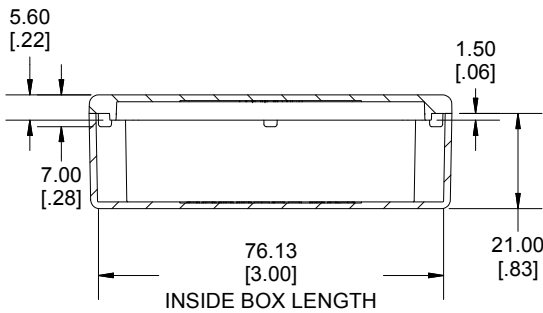


**SECTION A-A
END VIEW**

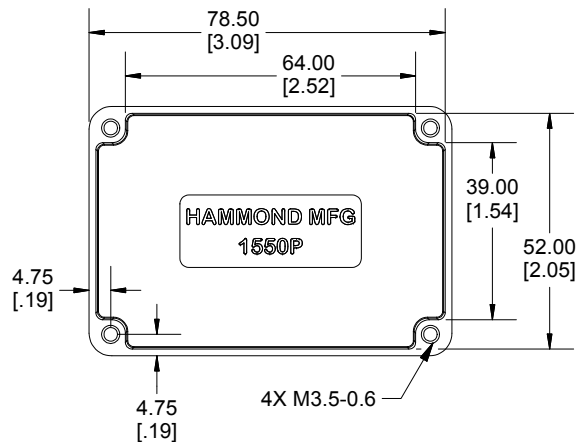
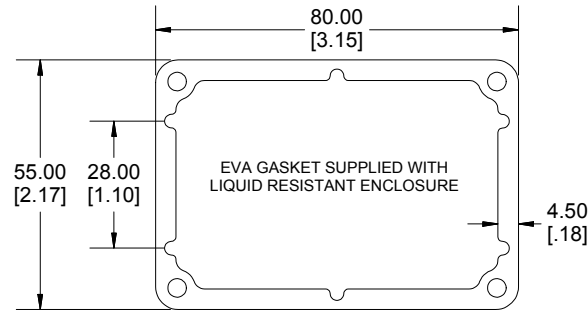


Enclosures can be Factory Modified (Milling, Drilling, Printing etc.)
 Contact Factory mjm@hammondmfg.com for quotes
 Solid models of this enclosure available in STEP or IGES.

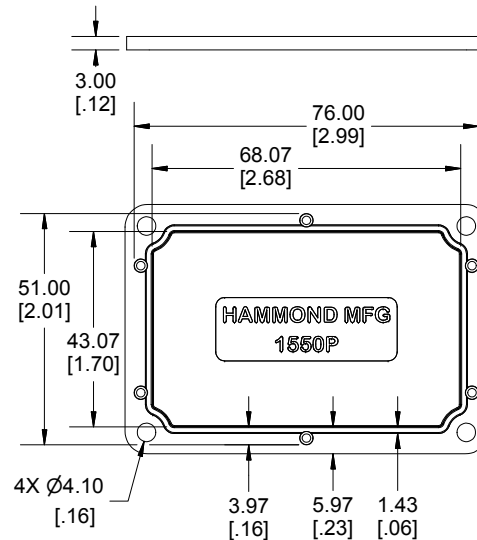
NOTE	
Purchased assembly includes box, lid and 4 cover screws.	
Box and lid are made from Diecast Aluminum Alloy.	
EVA Gasket supplied with liquid resistant enclosure.	



**SECTION B-B
SIDE VIEW**



INSIDE BOX



INSIDE LID

Dimensions:
 mm
 [inches]

PART NUMBERS	
1550P Enclosure	
Natural Finish Enclosure	1550P
Black Textured Enclosure	1550PBK
1550P Liquid Resistant Enclosure (EVA Gasket)	
Natural Finish Enclosure	1550WP
Black Textured Enclosure	1550WPBK
ACCESSORIES	
Recommended Torque: 75 ozf.in / 55 cN.m	
Standard Cover Screws	
Plated Cover Screws (Pkg 100) [M3.5-0.6 x 12mm]	1550MS100
Black Cover Screws (Pkg 100) [M3.5-0.6 x 12mm]	1550MS100BK
EVA Pre-formed Gasket Black	1550PEGASKET
Silicone Pre-formed Gasket Black	1550PSGASKET

**HAMMOND
MANUFACTURING®**

1550P

www.hammondmfg.com