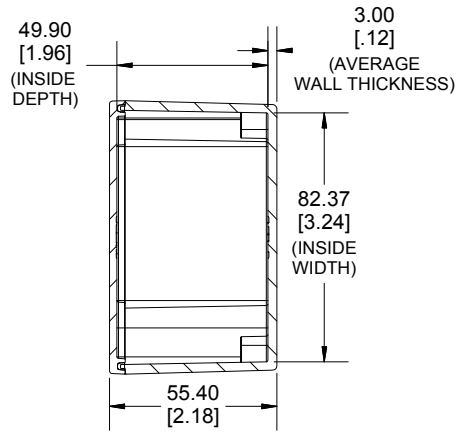
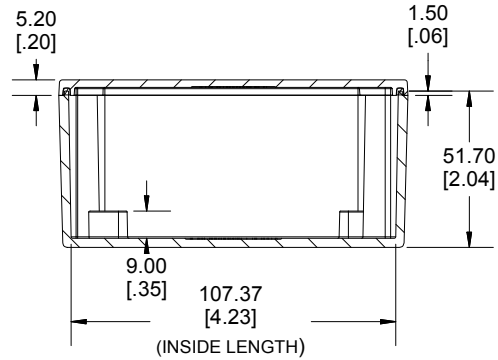


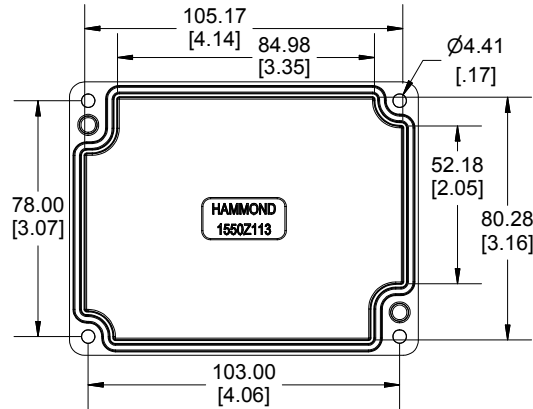
**TOP VIEW**



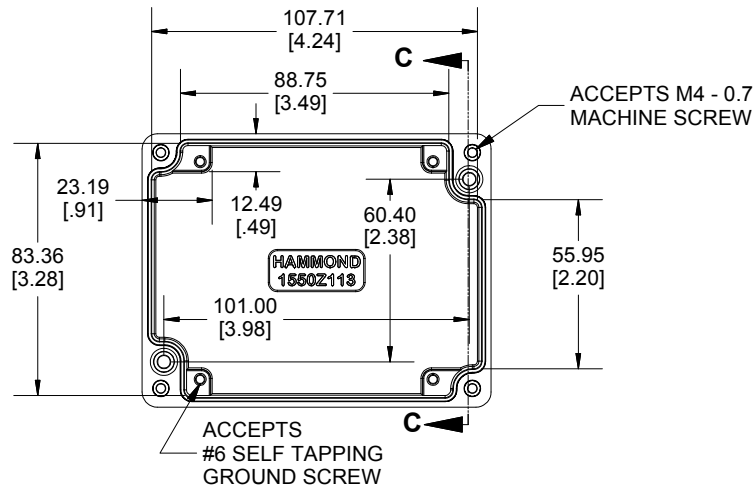
**SECTION A-A  
END VIEW**



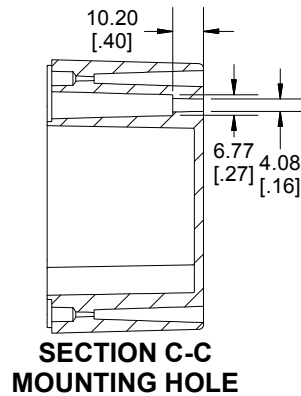
**SECTION B-B  
SIDE VIEW**



**INSIDE LID**



**INSIDE BOX**



**SECTION C-C  
MOUNTING HOLE**

Dimensions:  
mm  
[inches]



Enclosures can be Factory Modified ( Milling, Drilling, Printing etc.)  
Contact Factory [mjm@hammondmfg.com](mailto:mjm@hammondmfg.com) for quotes  
Solid models of this enclosure available in STEP or IGES.  
(Part number and text placement/orientation on our products are subject to change.  
we do not recommend using them as a locating reference for modification purposes)

NOTE	
Purchased assembly includes box, lid, silicone gasket, and 4 cover screws. Box and lid are made from Diecast Aluminum Alloy.	
Screws should not be torqued past 5-7.5 lbf.in ( 50 -75 cN.m)	
PART NUMBERS	
1550Z113 Enclosure	
Basic Enclosure	1550Z113
Black Enclosure	1550Z113BK
ACCESSORIES	
Pre-Formed Silicone Gasket (2 Pack)	1550Z113GASKET
Stainless Steel Cover screws (50 Pack) [M4 - 0.7 x 20mm]	SC1550Z103-50
Ground Hardware (50 Pack) [Copper #6-32X5/16 Self-Tapping / #6 Bronze lock Washer]	SCG060-50

**HAMMOND  
MANUFACTURING**

**1550Z113**  
[www.hammondmfg.com](http://www.hammondmfg.com)