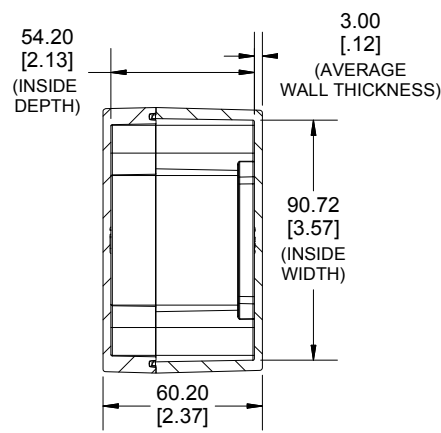
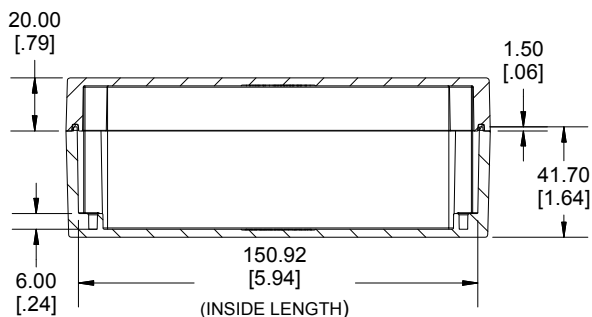


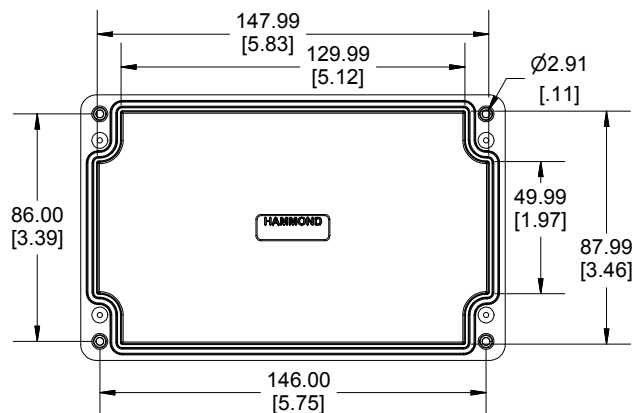
TOP VIEW



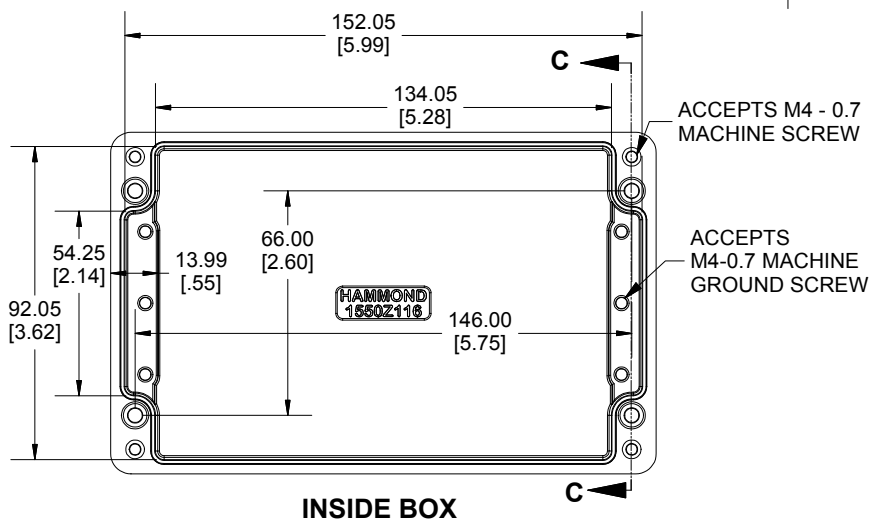
SECTION A-A
END VIEW



SECTION B-B
SIDE VIEW



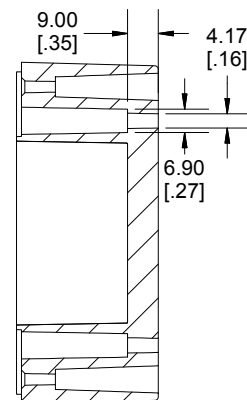
INSIDE LID



INSIDE BOX

ACCEPTS M4 - 0.7
MACHINE SCREW

ACCEPTS
M4-0.7 MACHINE
GROUND SCREW



SECTION C-C
MOUNTING HOLE

Dimensions:
mm
[inches]



Enclosures can be Factory Modified (Milling, Drilling, Printing etc.)
Contact Factory mjm@hammondmfg.com for quotes
Solid models of this enclosure available in STEP or IGES.
(Part number and text placement/orientation on our products are subject to change,
we do not recommend using them as a locating reference for modification purposes)

NOTE	
Purchased assembly includes box, lid, silicone gasket, and 4 cover screws. Box and lid are made from Diecast Aluminum Alloy.	
Screws should not be torqued past 5-7.5 lbf.in (50 -75 cN.m)	
PART NUMBERS	
1550Z116 Enclosure	
Basic Enclosure	1550Z116
Black Enclosure	1550Z116BK
ACCESSORIES	
Pre-Formed Silicone Gasket (2 Pack)	1550Z116GASKET
Stainless Steel Cover screws (30 Pack) [M4 - 0.7 x 30mm]	SC1550Z116-30
Copper Ground Hardware (50 Pack) [M4 - 0.7 X 6mm / M4 Washer]	SCGM4-50

**HAMMOND
MANUFACTURING.**

1550Z116
www.hammondmfg.com