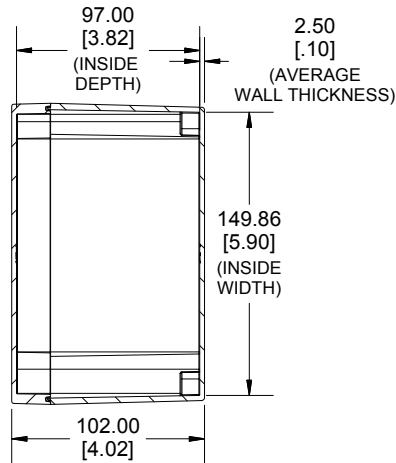
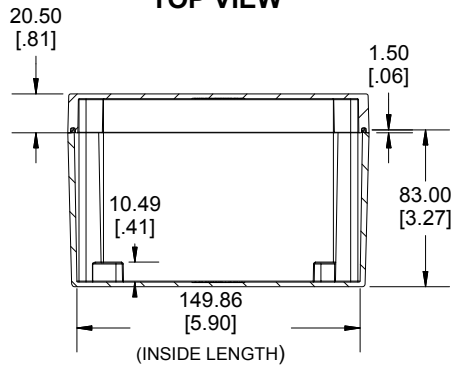
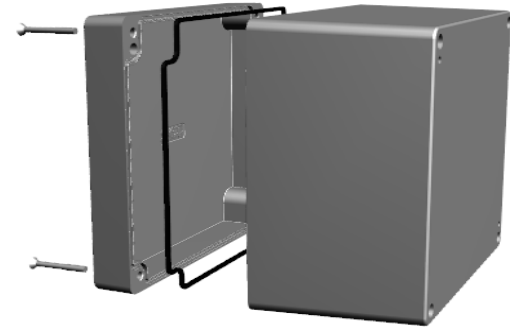


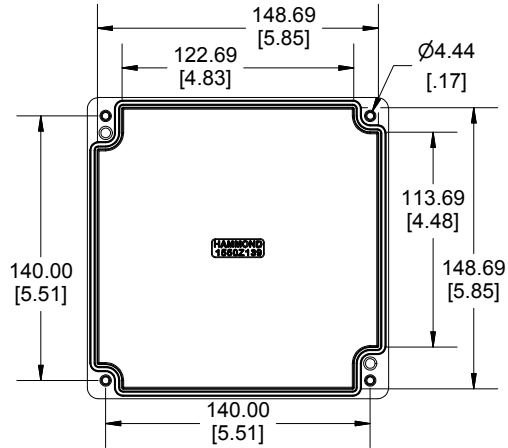
**TOP VIEW**



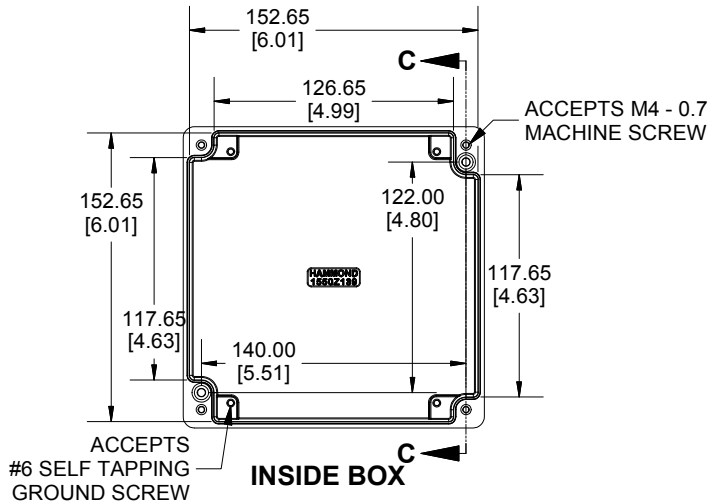
**SECTION A-A  
END VIEW**



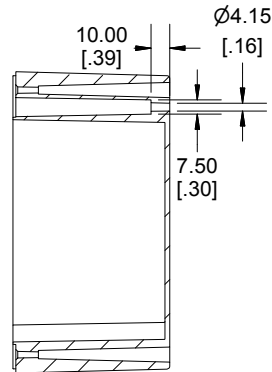
**SECTION B-B  
SIDE VIEW**



**INSIDE LID**



**INSIDE BOX**



**SECTION C-C  
MOUNTING HOLE**

Dimensions:  
mm  
[inches]

UL US LISTED  
FILE #E71073  
NEMA 4, 4X

Enclosures can be Factory Modified ( Milling, Drilling, Printing etc.)  
Contact Factory [mjm@hammondmfg.com](mailto:mjm@hammondmfg.com) for quotes  
Solid models of this enclosure available in STEP or IGES.  
(Part number and text placement/orientation on our products are subject to change,  
we do not recommend using them as a locating reference for modification purposes)

**NOTE**

Purchased assembly includes box, lid, silicone gasket, and 4 cover screws.  
Box and lid are made from Diecast Aluminum Alloy.

**Screws should not be torqued past 5-7.5 lbf.in ( 50 -75 cN.m)**

**PART NUMBERS**

1550Z139 Enclosure

Basic Enclosure 1550Z139

Black Enclosure 1550Z139BK

**ACCESSORIES**

Pre-Formed Silicone Gasket (2 Pack) 1550Z139GASKET

Stainless Steel Cover screws (30 Pack)  
[M4 - 0.7 x 30mm] SC1550Z116-30

Ground Hardware (50 Pack)  
[Copper #6-32X5/16 Self-Tapping /  
#6 Bronze lock Washer] SCG060-50

**HAMMOND  
MANUFACTURING.**

**1550Z139**  
[www.hammondmfg.com](http://www.hammondmfg.com)