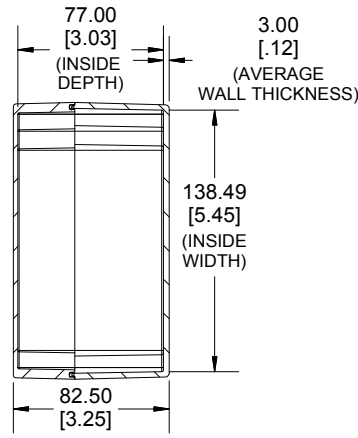
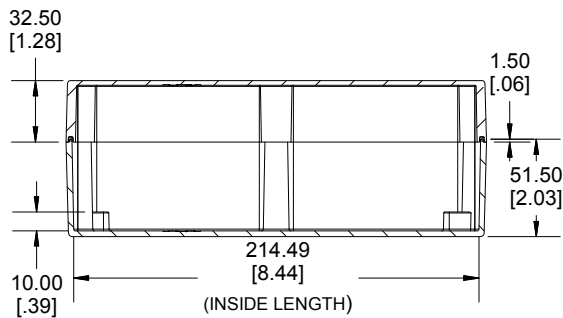


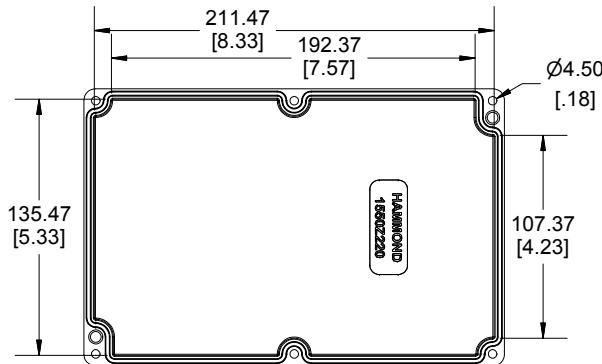
TOP VIEW



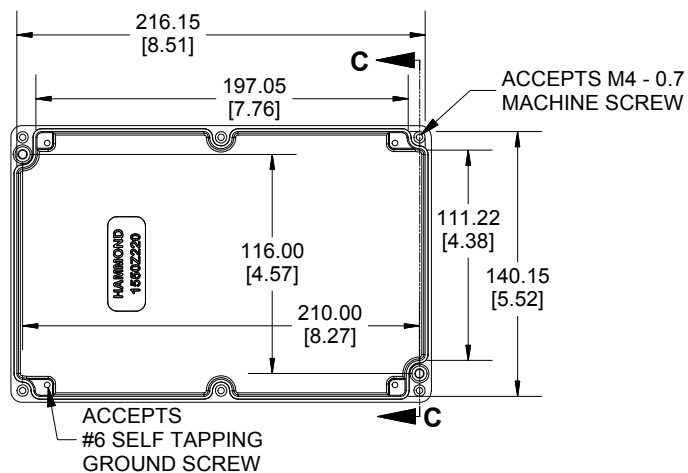
SECTION A-A  
END VIEW



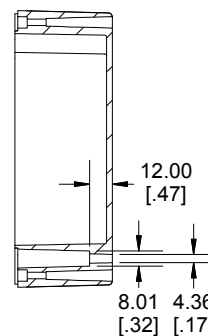
SECTION B-B  
SIDE VIEW



INSIDE LID



INSIDE BOX



SECTION C-C  
MOUNTING HOLE

Dimensions:  
mm  
[inches]



Enclosures can be Factory Modified ( Milling, Drilling, Printing etc.)  
Contact Factory [mjm@hammondmfg.com](mailto:mjm@hammondmfg.com) for quotes  
Solid models of this enclosure available in STEP or IGES.  
(Part number and text placement/orientation on our products are subject to change,  
we do not recommend using them as a locating reference for modification purposes)

NOTE	
Purchased assembly includes box, lid, silicone gasket, and 6 cover screws. Box and lid are made from Diecast Aluminum Alloy.	
<b>Screws should not be torqued past 5-7.5 lbf.in ( 50 -75 cN.m)</b>	
PART NUMBERS	
1550Z220 Enclosure	
Basic Enclosure	1550Z220
Black Enclosure	1550Z220BK
ACCESSORIES	
Pre-Formed Silicone Gasket (2 Pack)	1550Z124GASKET
Stainless Steel Cover screws (30 Pack) [M4 - 0.7 x 45mm]	SC1550Z220-30
Ground Hardware (50 Pack) [Copper #6-32X5/16 Self-Tapping / #6 Bronze lock Washer]	SCG060-50

**HAMMOND  
MANUFACTURING**

**1550Z220**

[www.hammondmfg.com](http://www.hammondmfg.com)