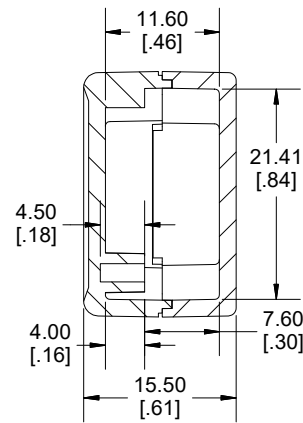
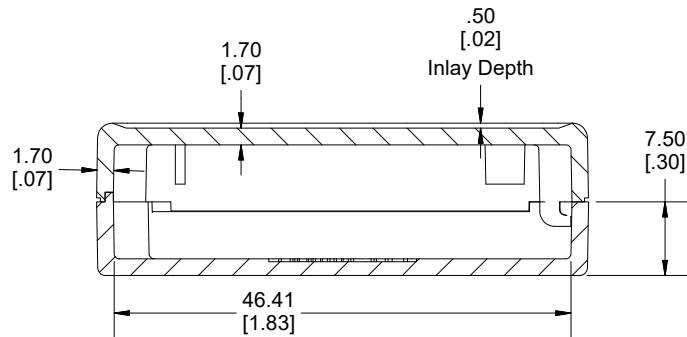
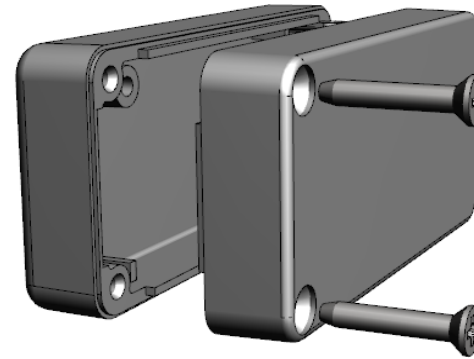


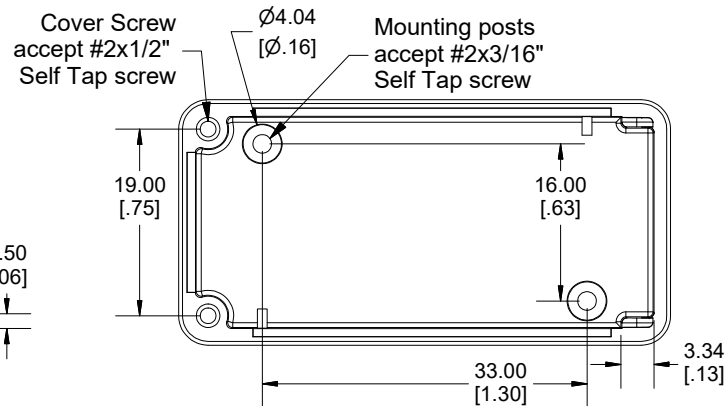
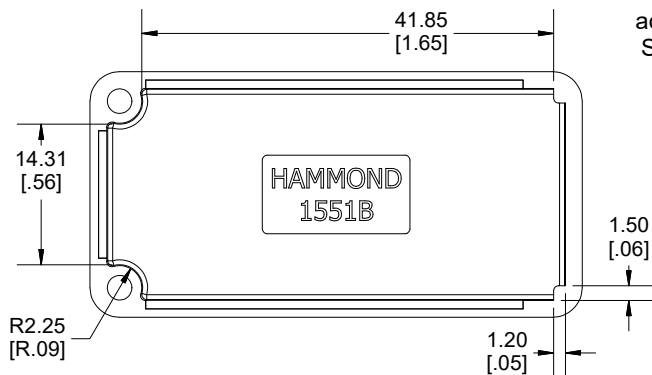
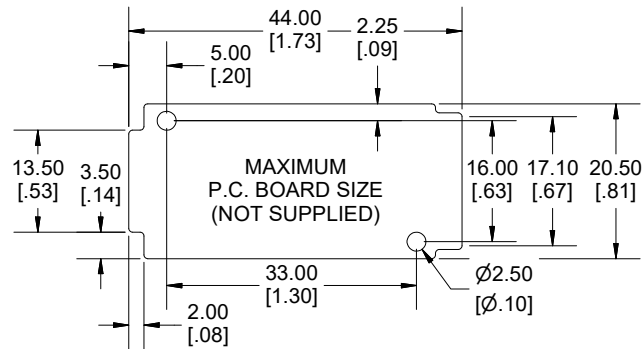
TOP VIEW



SECTION A-A



SECTION B-B

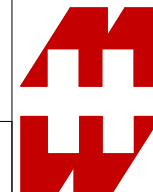


Enclosures can be Factory Modified (Milling, Drilling, Printing etc.)
 Contact Factory (modshop@hammfg.com) for quotes
 Solid models of this enclosure available in .stp or .x_t
 (Part number and text placement/orientation on our products are subject to change,
 we do not recommend using them as a locating reference for modification purposes)

NOTE	
Purchased assembly includes box, lid, 2 cover screws.	
Enclosure molded from general purpose ABS Plastic.	
Other materials / colours available consult factory.	
Recommended Torque : (35-43) Ozf.in / (25-30) cN.m	

PART NUMBERS	
1551B Enclosure	
Black Enclosure - Ral 9011 - UL94 - HB	1551BBK
Gray Enclosure - RAL 7035 - UL94 - HB	1551BGY
Translucent Clear - UL94 - HB	1551BCLR
Translucent Smoke - UL94 - HB	1551BTSK
Translucent Red - UL94 - HB	1551BTRD
ACCESSORIES	
P.C. Board Plastite Self Tapping Screw [#2 x 3/16" self-tapping (4.8mm)]	1553WTS100 (Pkg 100)
Plated Cover Screws #2 X 1/2" Self-tapping	1551USB50 (Pkg 50)
Black Cover Screws #2 X 1/2" Self-tapping	1551USB50BK (Pkg 50)

Dimensions:
mm
[inches]



HAMMOND
MANUFACTURING.

1551B

www.hammondmfg.com