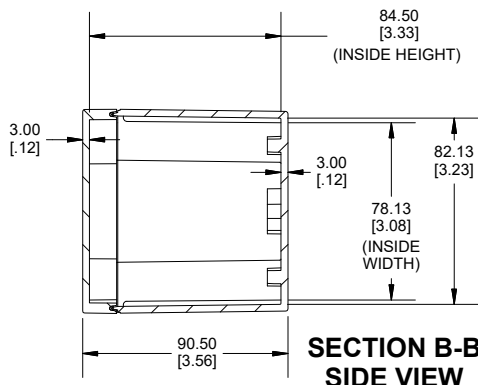
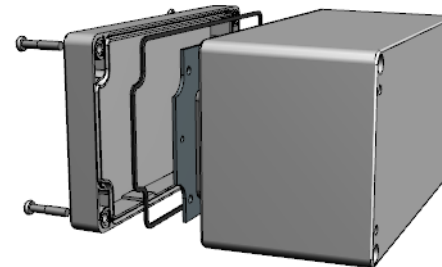


**TOP VIEW**



**SECTION B-B  
SIDE VIEW**



POLYCARBONATE  
VERSION ONLY

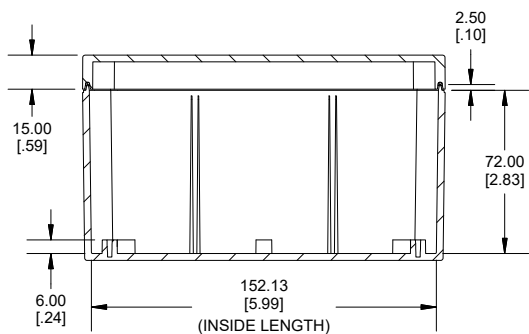


Enclosures can be Factory Modified (Milling, Drilling, Printing etc.)  
Contact Factory ([modshop@hammfg.com](mailto:modshop@hammfg.com)) for quotes  
Solid models of this enclosure available in .stp or .x\_t  
(Part number and text placement/orientation on our products are subject to change,  
we do not recommend using them as a locating reference for modification purposes)

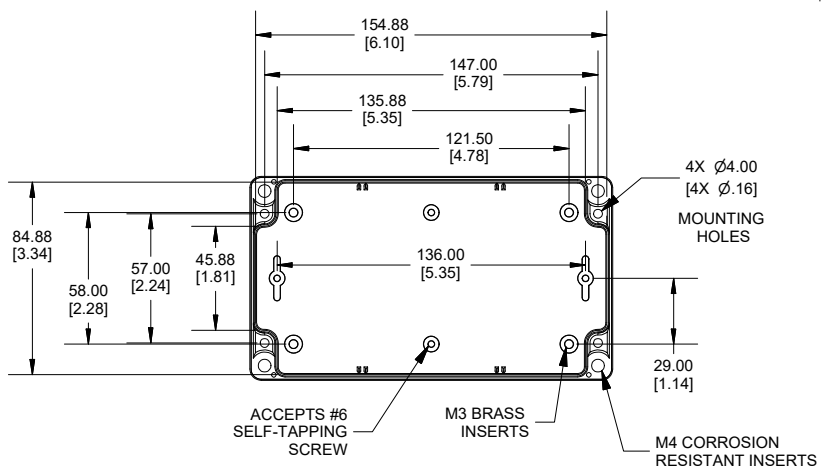
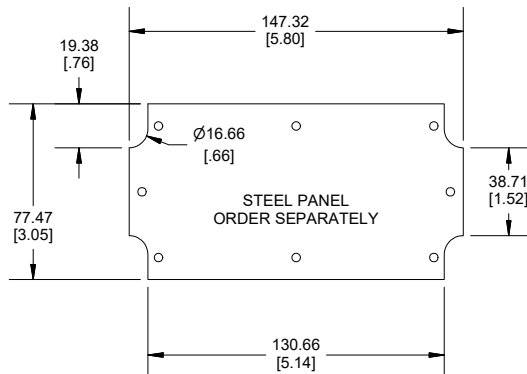
**NOTE**

Purchased assembly includes box, lid, 4 cover screws, and preformed silicone gasket.  
General Purpose ABS version is not UL approved. (Matl UL94 - HB)  
Polycarbonate version is UL 508A approved. (Matl UL94 - 5VA @ 3mm)

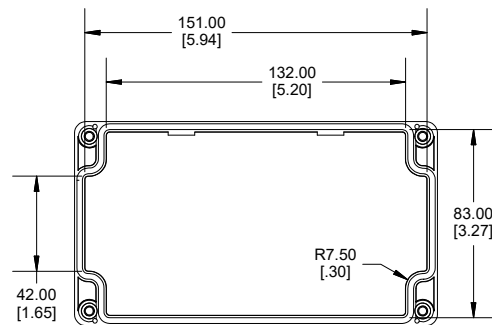
**Recommended Cover screw torque -- 43-57 ozf-in (30-40 cN-m)**



**SECTION A-A  
SIDE VIEW**



**INSIDE BOX**



**INSIDE LID**

1554K	
1554K Regular Enclosure	
General Purpose ABS RAL-7035	1554KGY
Polycarbonate RAL-7035	1554K2GY
1554K Clear / Smoke Lid Enclosure	
Polycarbonate Box / Clear Polycarbonate Lid	1554K2GYCL
Polycarbonate Box / Smoke Polycarbonate Lid	1554K2GYSL
ACCESSORIES	
Steel Inner Panels	1554JPL
Steel Panel / P.C. Board Screw [M3-0.5 x 8mm Plated] (Pkg 100)	1591MM100
Steel Panel / P.C. Board Self Tapping Screw [#6 X 1/4" (6.4mm) Plated] (Pkg 100)	1598ATS100
Stainless Steel Cover Screws [M4-0.7 X 20mm] (Pkg 50)	SC576-50
Silicone Pre-formed Gasket Black (Pkg 2)	1554JGASKET

Dimensions:  
mm  
[inches]

**HAMMOND  
MANUFACTURING**

**1554K**

[www.hammondmfg.com](http://www.hammondmfg.com)