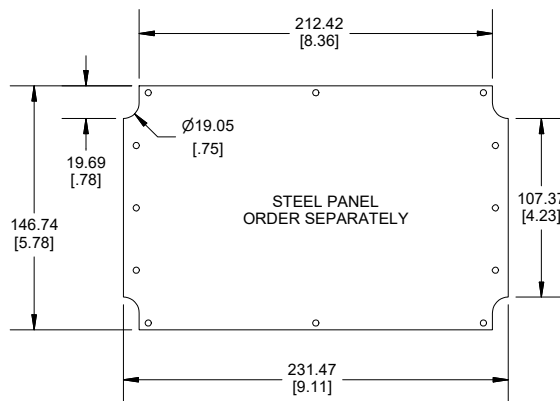
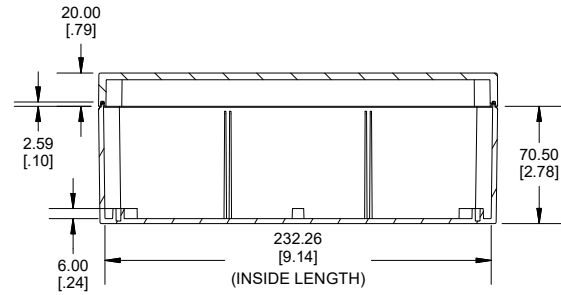


POLYCARBONATE
VERSION ONLY

UL US LISTED

FILE #E65324
TYPE 4, 4X

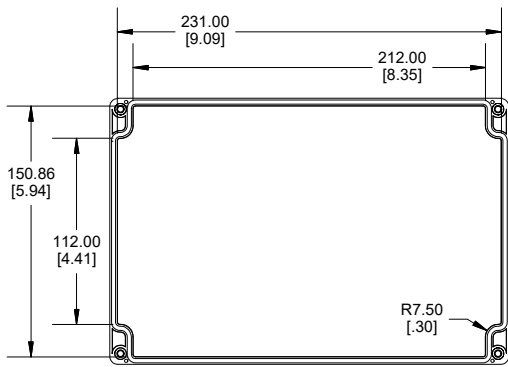
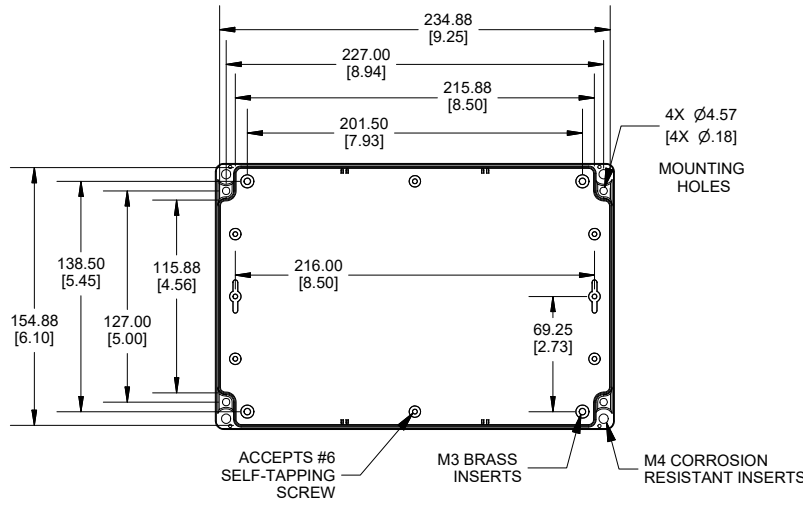
Enclosures can be Factory Modified (Milling, Drilling, Printing etc.)
Contact Factory (modshop@hammfg.com) for quotes
Solid models of this enclosure available in .stp or .x_t
(Part number and text placement/orientation on our products are subject to change,
we do not recommend using them as a locating reference for modification purposes)



**SECTION A-A
SIDE VIEW**

NOTE

Purchased assembly includes box, lid, 4 cover screws, and preformed silicone gasket.
General Purpose ABS version is not UL approved. (Matl UL94 - HB)
Polycarbonate version is UL 508A approved. (Matl UL94 - 5VA @ 3mm)
Recommended Cover screw torque -- 71-85 ozf-in (50-60 cN-m)



INSIDE BOX

INSIDE LID

| 1554V | |
|---|-------------|
| 1554V Regular Enclosure | |
| General Purpose ABS RAL-7035 | 1554VGY |
| Polycarbonate RAL-7035 | 1554V2GY |
| 1554V Clear / Smoke Lid Enclosure | |
| Polycarbonate Box / Clear Polycarbonate Lid | 1554V2GYCL |
| Polycarbonate Box / Smoke Polycarbonate Lid | 1554V2GYSL |
| ACCESSORIES | |
| Steel Inner Panels | 1554VPL |
| Steel Panel / P.C. Board Screw [M3-0.5 x 8mm Plated] (Pkg 100) | 1591MM100 |
| Steel Panel / P.C. Board Self Tapping Screw [#6 X 1/4" (6.4mm) Plated] (Pkg 100) | 1598ATS100 |
| Stainless Steel Cover Screws [M4-0.7 X 25mm] (Pkg 50) | SC583-50 |
| Silicone Pre-formed Gasket Black (Pkg 2) | 1554VGASKET |

Dimensions:
mm
[inches]

**HAMMOND
MANUFACTURING**

1554V

www.hammondmfg.com