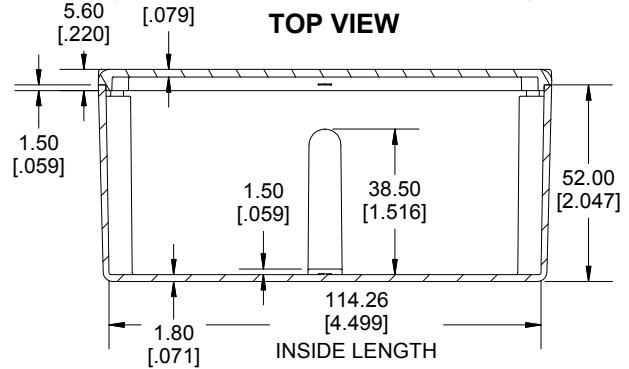
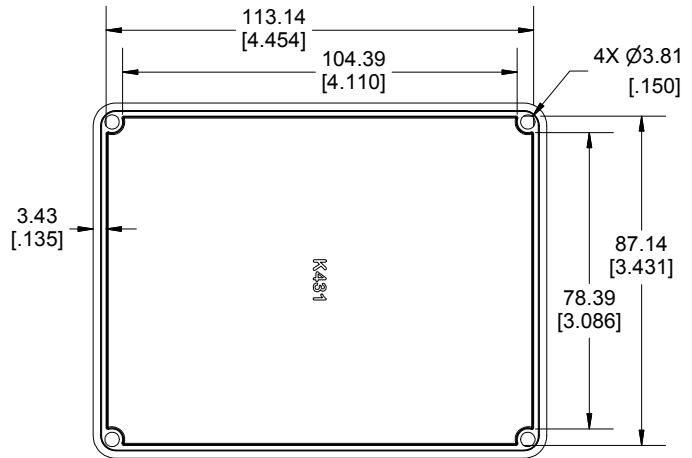


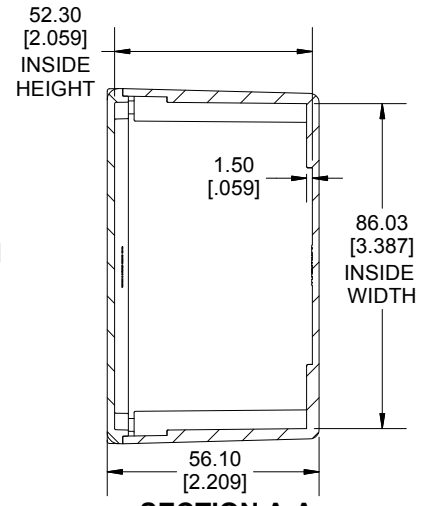
**TOP VIEW**



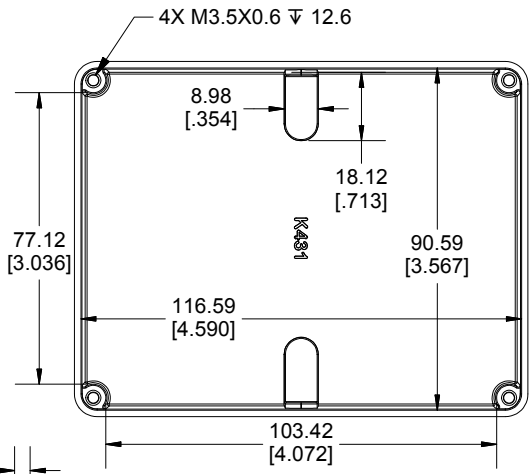
**SECTION B-B**



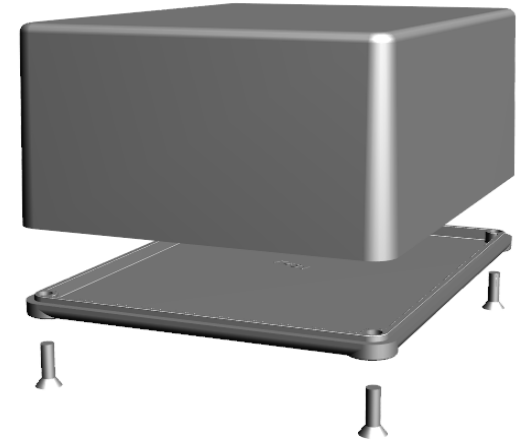
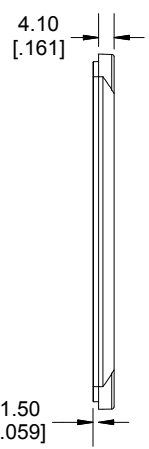
**INSIDE LID**



**SECTION A-A  
END VIEW**



**INSIDE BOX**



Enclosures can be Factory Modified ( Milling, Drilling, Printing etc.)  
 Contact Factory [mjm@hammondmfg.com](mailto:mjm@hammondmfg.com) for quotes  
 Solid models of this enclosure available in STEP or IGES.  
 (Part number and text placement/orientation on our products are subject to change,  
 we do not recommend using them as a locating reference for modification purposes)

<b>NOTE</b>	
Purchased assembly includes box, lid and 4 cover screws. Box and lid are made from Diecast Zinc Alloy.	
<b>Recommended Torque: 50-55 cN.m [71-78 ozf.in]</b>	
<b>PART NUMBERS</b>	
1590K431 Enclosure	
Natural Finish Enclosure	1590K431
Black Textured Enclosure	1590K431BK
<b>ACCESSORIES</b>	
Plated Cover Screws (Pkg 100) [M3.5 x 12mm]	1550MS100
Black Cover Screws (Pkg 100) [M3.5 x 12mm]	1550MS100BK

**HAMMOND  
MANUFACTURING®**

**1590K431**

[www.hammondmfg.com](http://www.hammondmfg.com)

Dimensions:  
mm  
[inches]