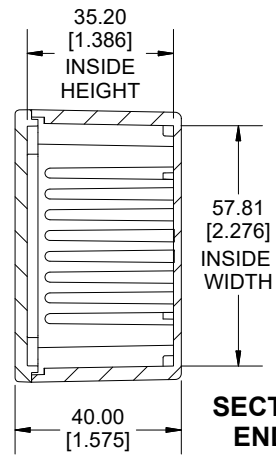
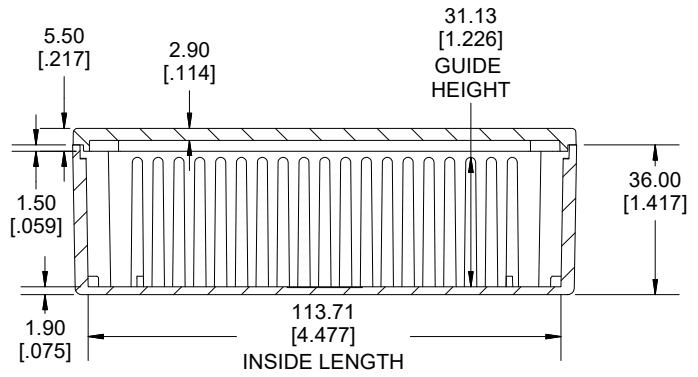
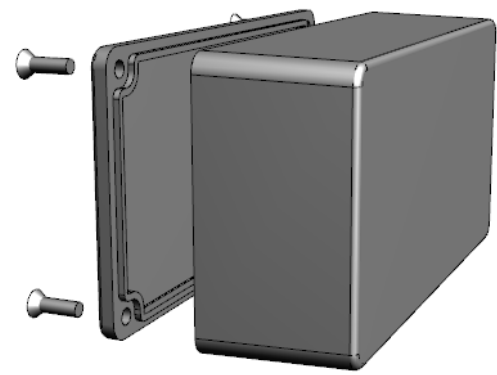


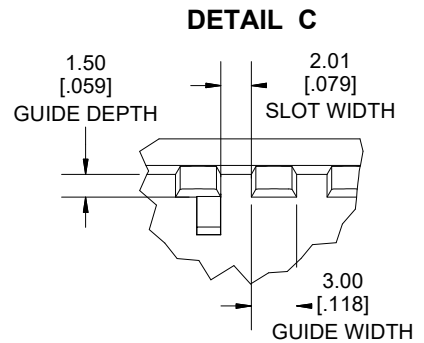
**TOP VIEW**



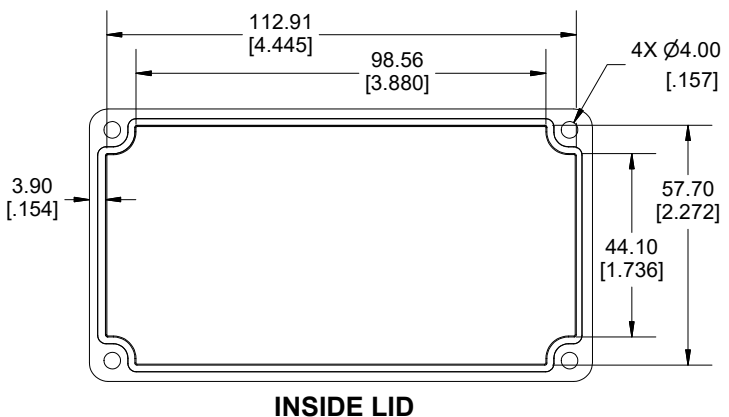
**SECTION A-A  
END VIEW**



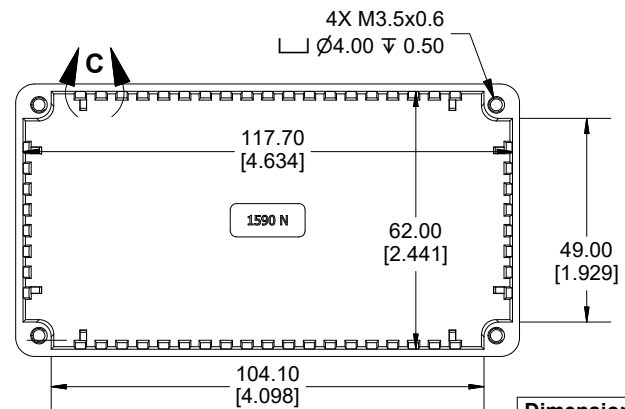
**SECTION B-B  
SIDE VIEW**



**DETAIL C**



**INSIDE LID**



**INSIDE BOX**

Enclosures can be Factory Modified (Milling, Drilling, Printing etc.)  
 Contact Factory (modshop@hammfg.com) for quotes  
 Solid models of this enclosure available in .stp or .x\_t  
 (Part number and text placement/orientation on our products are subject to change,  
 we do not recommend using them as a locating reference for modification purposes)

<b>NOTE</b>	
Purchased assembly includes box, lid and 4 cover screws.	
Box and lid are made from Diecast Aluminum Alloy.	
Silicone Gasket supplied with liquid resistant enclosure.	
<b>Recommended Torque : 50-55 cN.m [71-78 ozf.in]</b>	
<b>Recommended Torque with Gasket : 25-30 cN.m [36-43 ozf.in]</b>	

<b>PART NUMBERS</b>	
<b>1590N Enclosure</b>	
Natural Finish Enclosure	1590N
Black Textured Enclosure	1590NBK
<b>1590N Liquid Resistant Enclosure (Silicone Gasket)</b>	
Natural Finish Enclosure	1590WN
Black Textured Enclosure	1590WNBK

<b>ACCESSORIES</b>	
<b>Liquid Resistant Cover Screws</b>	
Stainless Steel Cover Screws (Pkg 100) [M3.5 x 12mm, With O-Ring]	1550WMS100
Black Stainless Steel Cover Screws (Pkg 100) [M3.5 x 12mm, With O-Ring]	1550WMS100BK
<b>Standard Cover Screws</b>	
Plated Cover Screws (Pkg 100) [M3.5 x 12mm]	1550MS100
Black Cover Screws (Pkg 100) [M3.5 x 12mm]	1550MS100BK

Dimensions:  
mm  
[inches]



**HAMMOND  
MANUFACTURING®**

**1590N**

www.hammondmfg.com