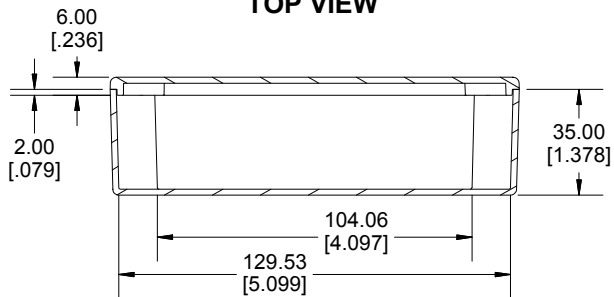
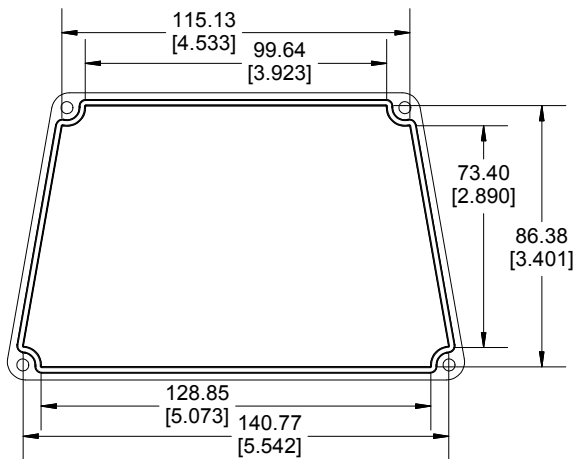


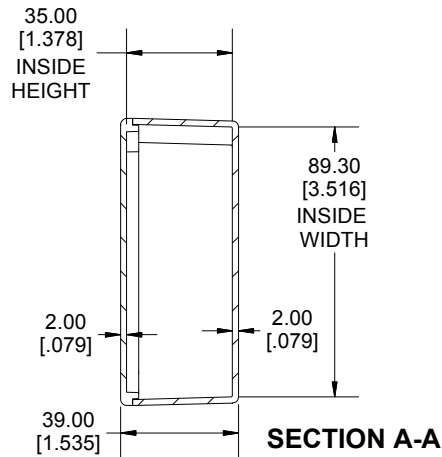
**TOP VIEW**



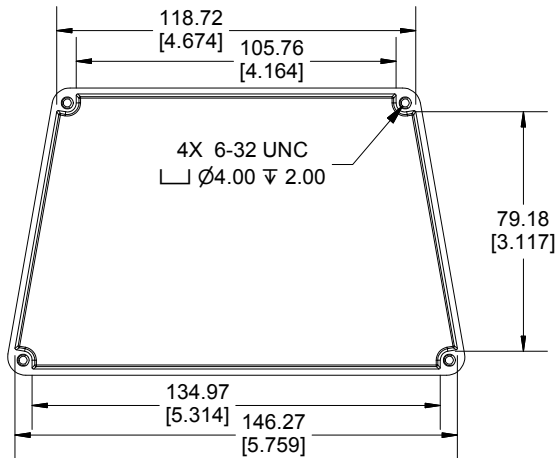
**SECTION B-B  
SIDE VIEW**



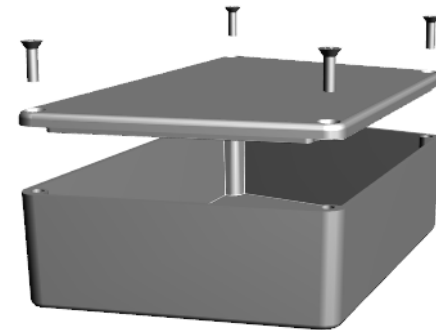
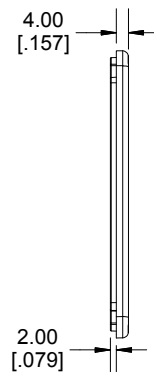
**INSIDE LID**



**SECTION A-A**



**INSIDE BOX**



Enclosures can be Factory Modified ( Milling, Drilling, Printing etc.)  
 Contact Factory [mjm@hammondmfg.com](mailto:mjm@hammondmfg.com) for quotes  
 Solid models of this enclosure available in STEP or IGES.  
 (Part number and text placement/orientation on our products are subject to change,  
 we do not recommend using them as a locating reference for modification purposes)

<b>NOTE</b>	
Purchased assembly includes box, lid and 4 cover screws.	
Box and lid are made from Diecast Aluminum Alloy.	
Silicone Gasket supplied with liquid resistant enclosure.	
<b>Recommended Torque: 50-55 cN.m [71-78 ozf.in]</b>	
<b>Recommended Torque with Gasket : 25-30 cN.m [36-43 ozf.in]</b>	

<b>PART NUMBERS</b>	
<b>1590TRPC Enclosure</b>	
Natural Finish Enclosure	1590TRPC
Black Textured Enclosure	1590TRPCBK
<b>1590TRPC Liquid Resistant Enclosure (Silicone Gasket)</b>	
Natural Finish Enclosure	1590WTRPC
Black Textured Enclosure	1590WTRPCBK
<b>ACCESSORIES</b>	
<b>Liquid Resistant Cover Screws</b>	
Stainless Steel Cover Screws (Pkg 100) [6-32 x 1/2" With O-Ring]	1590WMS100
Black Stainless Steel Cover Screws (Pkg 100) [6-32 x 1/2" With O-Ring]	1590WMS100BK
<b>Standard Cover Screws</b>	
Plated Cover Screws (Pkg 100) [6-32 x 1/2"]	1590MS100
Black Cover Screws (Pkg 100) [6-32 x 1/2"]	1590MS100BK

**HAMMOND  
MANUFACTURING®**

**1590TRPC**

[www.hammondmfg.com](http://www.hammondmfg.com)

**Dimensions:**  
mm  
[inches]