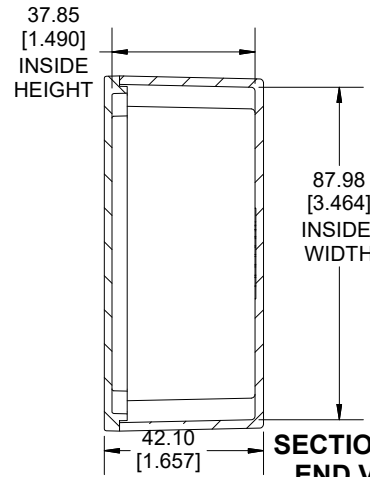
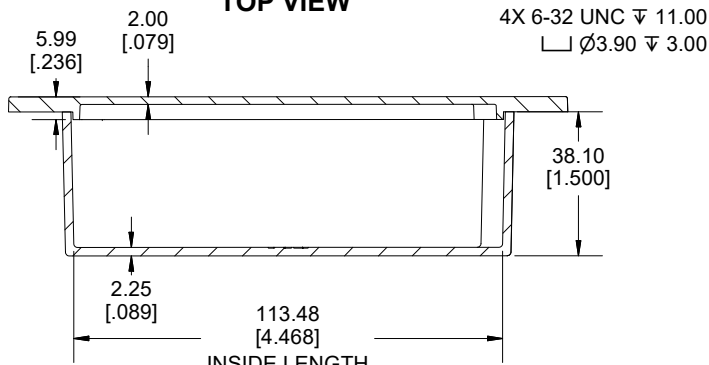


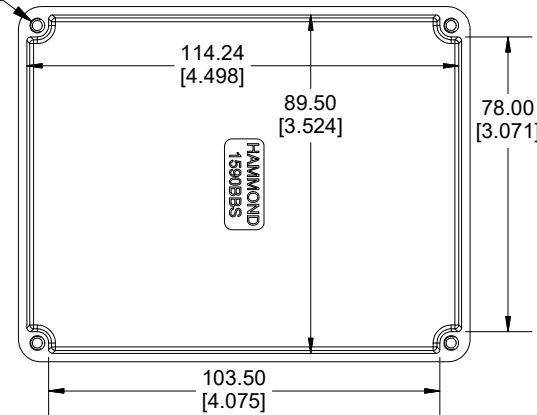
**TOP VIEW**



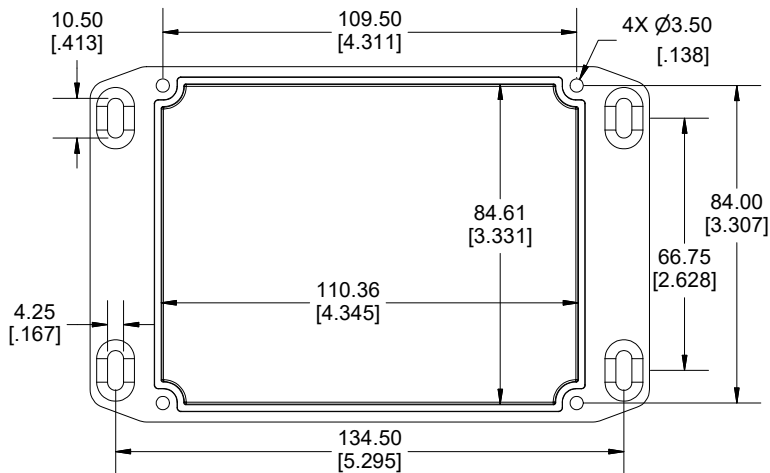
**SECTION A-A  
END VIEW**



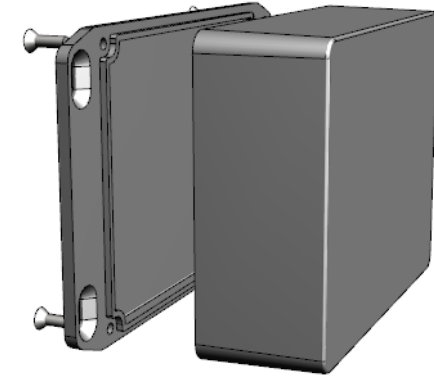
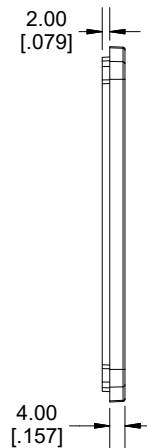
**SECTION B-B  
SIDE VIEW**



**INSIDE BOX**



**INSIDE LID**

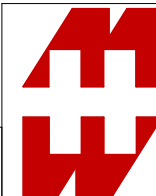


Enclosures can be Factory Modified (Milling, Drilling, Printing etc.)  
 Contact Factory ([modshop@hammfg.com](mailto:modshop@hammfg.com)) for quotes  
 Solid models of this enclosure available in .stp or .x\_t  
 (Part number and text placement/orientation on our products are subject to change,  
 we do not recommend using them as a locating reference for modification purposes)

NOTE	
Purchased assembly includes box, lid and 4 cover screws.	
Box and lid are made from Diecast Aluminum Alloy.	
Silicone Gasket supplied with liquid resistant enclosure.	
<b>Recommended Torque: 50-55 cN.m [71-78 ozf.in]</b>	
<b>Recommended Torque with Gasket : 25-30 cN.m [36-43 ozf.in]</b>	

PART NUMBERS	
<b>1590BBSFL Enclosure</b>	
Natural Finish Enclosure	1590BBSFL
Black Textured Enclosure	1590BBSFLBK
<b>1590BBSFL Liquid Resistant Enclosure (Silicone Gasket)</b>	
Natural Finish Enclosure	1590WBBSFL
Black Textured Enclosure	1590WBBSFLBK
ACCESSORIES	
Liquid Resistant Cover Screws	
Stainless Steel Cover Screws (Pkg 100) [6-32 x 1/2" With O-Ring]	1590WMS100
Black Stainless Steel Cover Screws (Pkg 100) [6-32 x 1/2" With O-Ring]	1590WMS100BK
Standard Cover Screws	
Plated Cover Screws (Pkg 100) [6-32 x 1/2"]	1590MS100
Black Cover Screws (Pkg 100) [6-32 x 1/2"]	1590MS100BK

Dimensions:  
mm  
[inches]



**HAMMOND  
MANUFACTURING.**

**1590BBSFL**

[www.hammondmfg.com](http://www.hammondmfg.com)