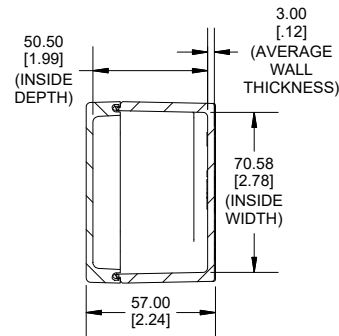
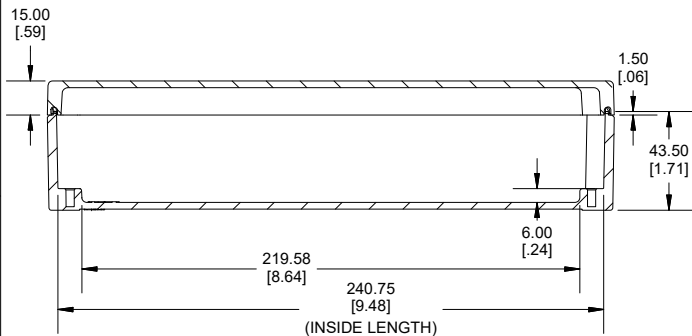
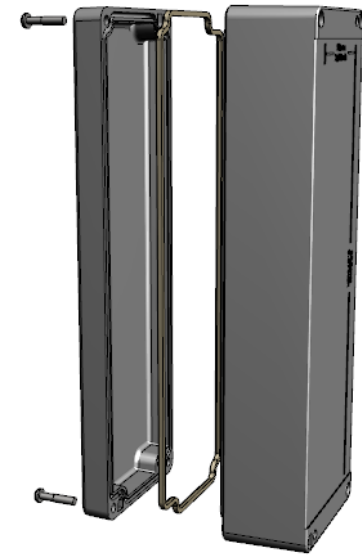


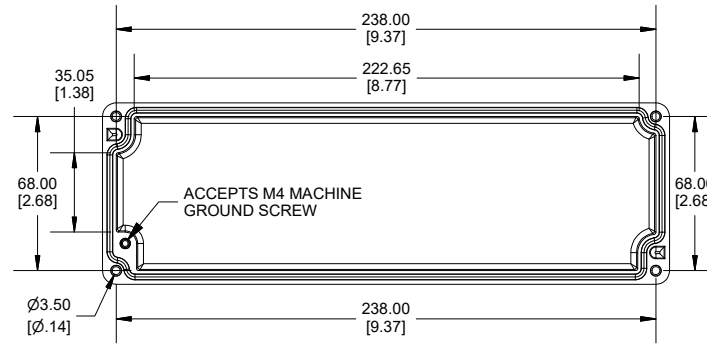
TOP VIEW



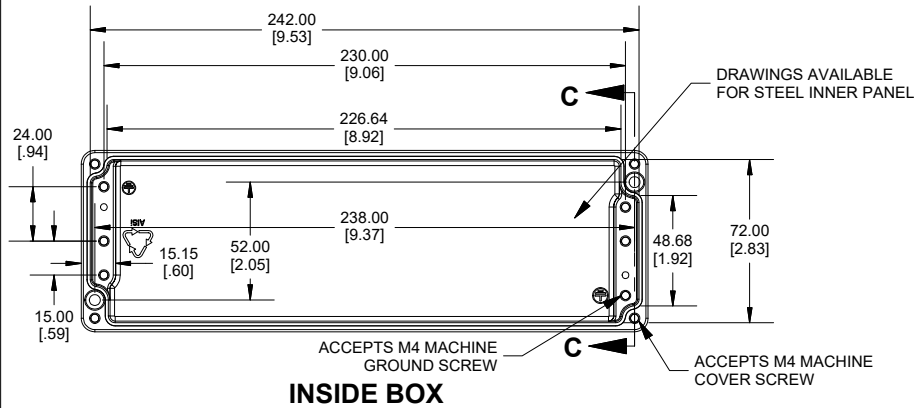
**SECTION A-A
END VIEW**



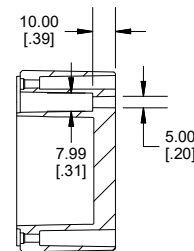
**SECTION B-B
SIDE VIEW**



INSIDE LID



INSIDE BOX



**SECTION C-C
MOUNTING HOLE**

Dimensions:
mm
[inches]

UL US LISTED
FILE #E65324
NEMA 4, 4X, 6, 6P

Enclosures can be Factory Modified (Milling, Drilling, Printing etc.)
Contact Factory (modshop@hammfg.com) for quotes
Solid models of this enclosure available in .stp or .x_t
(Part number and text placement/orientation on our products are subject to change,
we do not recommend using them as a locating reference for modification purposes)

NOTE

Purchased assembly includes box, lid, silicone gasket,
4 cover screws and 4 ground screws with washers.
Box and lid are made from Diecast Aluminum Alloy.

Recommended cover screw Torque 8.9-10.6 lbf.in (100 -120 cN.m)

1590Z140

1590Z140 Enclosure

Natural Enclosure	1590Z140
Black Enclosure	1590Z140BK
Grey Enclosure - RAL7001 Gloss	1590Z140GY

ACCESSORIES

Steel Inner Panel	1590Z140PL
Pre-Formed Silicone Gasket (2 Pack)	1590Z140G
Copper Ground Hardware (50 Pack) [M4 - 0.7 X 6mm / M4 Washer]	SCGM4-50
Stainless Steel Cover screws (50 pkg) [M4 - 0.7 x 20mm PN]	SCS76-50

**HAMMOND
MANUFACTURING®**

1590Z140

www.hammondmfg.com