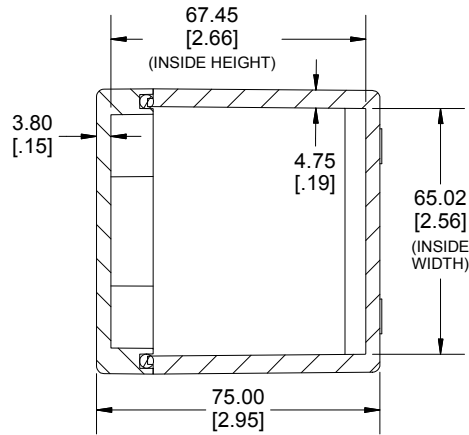
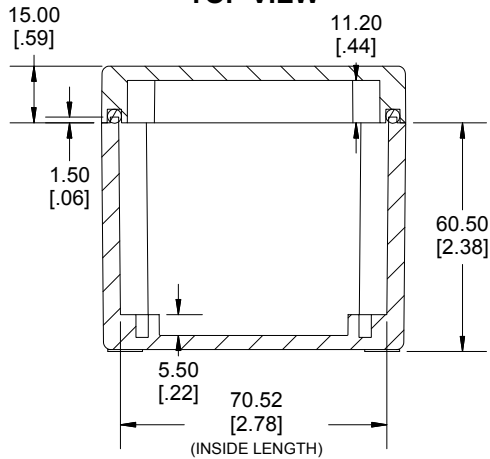


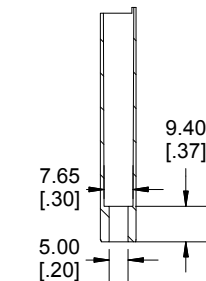
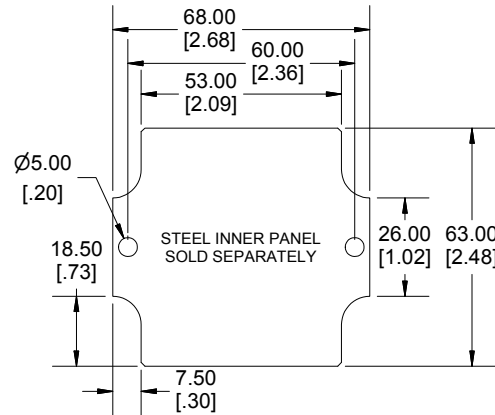
**TOP VIEW**



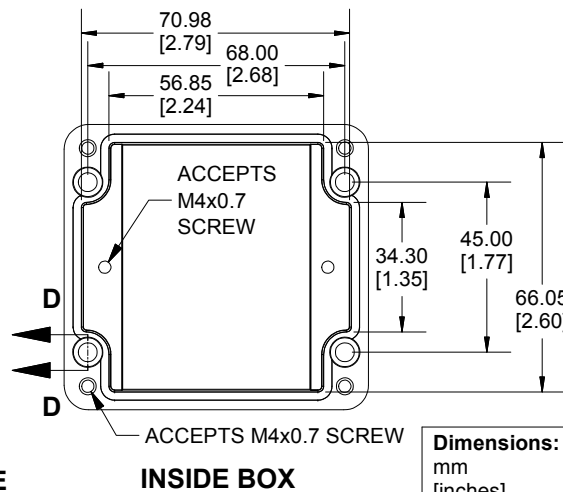
**SECTION B-B  
END VIEW**



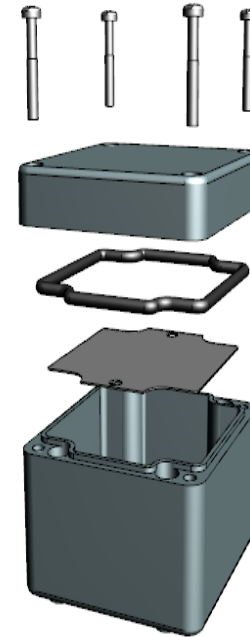
**SECTION A-A  
SIDE VIEW**



**SECTION D-D  
MOUNTING HOLE**



**INSIDE BOX**



Enclosures can be Factory Modified ( Milling, Drilling, Printing etc.)  
 Contact Factory [mjm@hammondmfg.com](mailto:mjm@hammondmfg.com) for quotes  
 Solid models of this enclosure available in STEP or IGES.  
 (Part number and text placement/orientation on our products are subject to change,  
 we do not recommend using them as a locating reference for modification purposes)

**NOTE**

Purchased assembly includes Box, Lid, Gasket and 4 cover screws  
 Enclosure Molded from Glass Reinforced Polyester

**Recommended cover screw torque 6-7.5 lbf.in (70-85 cN.m)**

**PART NUMBERS**

1590ZGRP084 Enclosure

Grey Enclosure

1590ZGRP084

**ACCESSORIES**

Copper Ground Hardware (50 Pack)  
 [M4 - 0.7 X 6mm / M4 Washer]

SCGM4-50

Stainless Steel Cover Screw (50 Pack)  
 [M4 - 0.7 x 25mm]

SC583-50

Steel Inner Panel

1590ZGRP081PL

Hinge Kit (2 Pack)

1427HK

**1590ZGRP084**  
[www.hammondmfg.com](http://www.hammondmfg.com)

Dimensions:  
 mm  
 [inches]