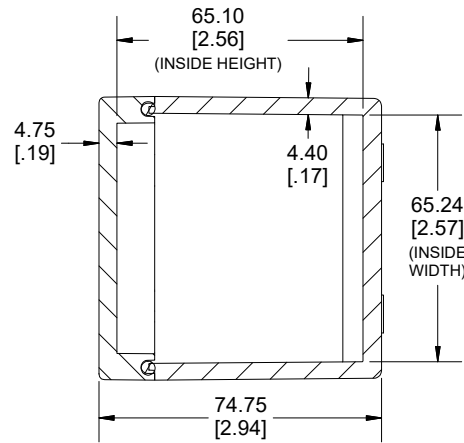
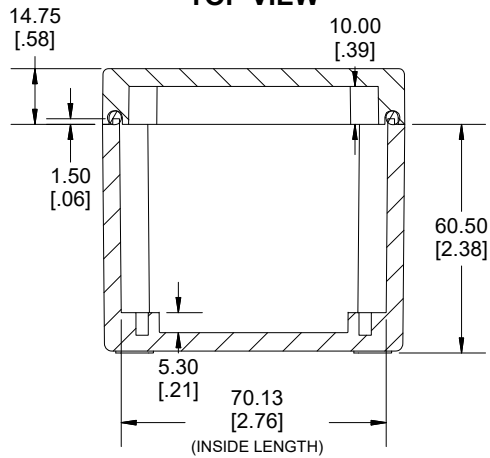


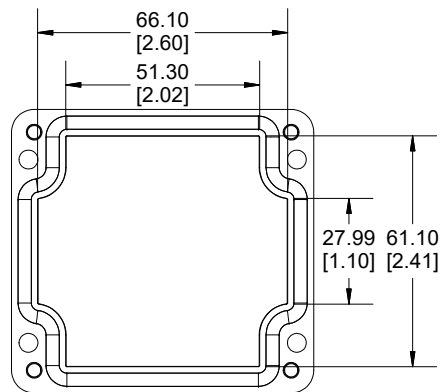
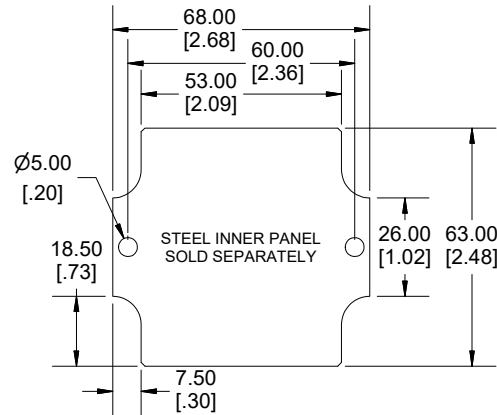
TOP VIEW



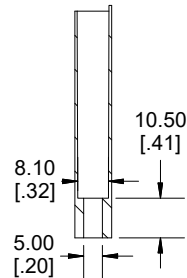
**SECTION B-B
END VIEW**



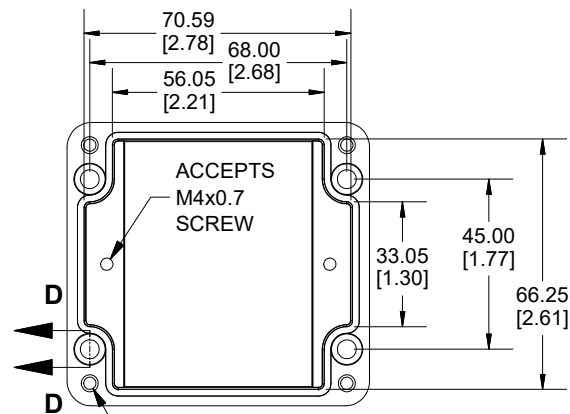
**SECTION A-A
SIDE VIEW**



INSIDE LID



**SECTION D-D
MOUNTING HOLE**



INSIDE BOX

Dimensions:
mm
[inches]



Enclosures can be Factory Modified (Milling, Drilling, Printing etc.)
Contact Factory (modshop@hammfg.com) for quotes
Solid models of this enclosure available in .stp or .x_t
(Part number and text placement/orientation on our products are subject to change,
we do not recommend using them as a locating reference for modification purposes)

NOTE	
Purchased assembly includes Box, Lid, Gasket and 4 cover screws	
Enclosure Molded from Glass Reinforced Polyester	
Recommended cover screw torque 8.8-13.3 lbf.in (100-150 cN.m)	
PART NUMBERS	
1590ZGRP084 Enclosure	
Black Enclosure	1590ZGRP084BK
ACCESSORIES	
Copper Ground Hardware (50 Pack) [M4 - 0.7 X 6mm / M4 Washer]	SCGM4-50
Stainless Steel Cover Screw (50 Pack) [M4 - 0.7 x 25mm]	SC583-50
Steel Inner Panel	1590ZGRP081PL
Hinge Kit Black (2 Pack)	1427HKBK

**HAMMOND
MANUFACTURING®**

1590ZGRP084BK

www.hammondmfg.com