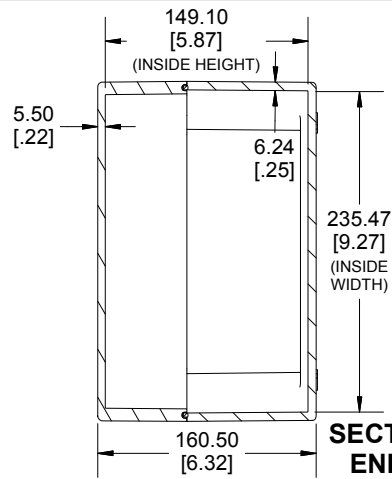
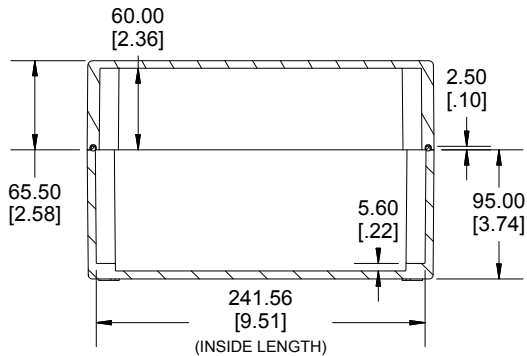


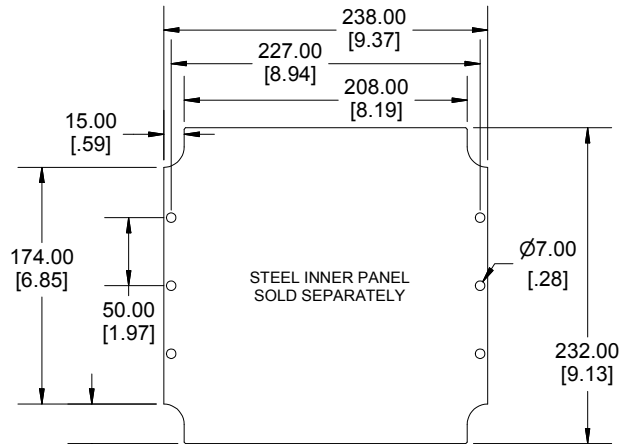
TOP VIEW



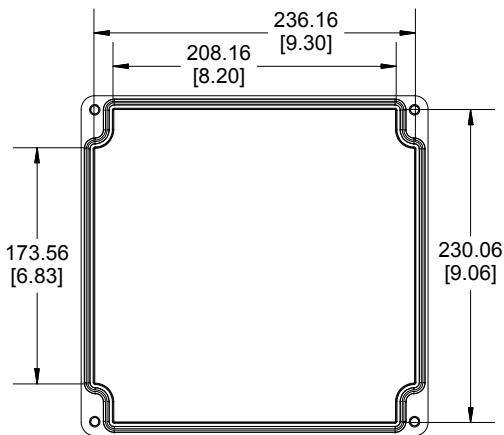
**SECTION B-B
END VIEW**



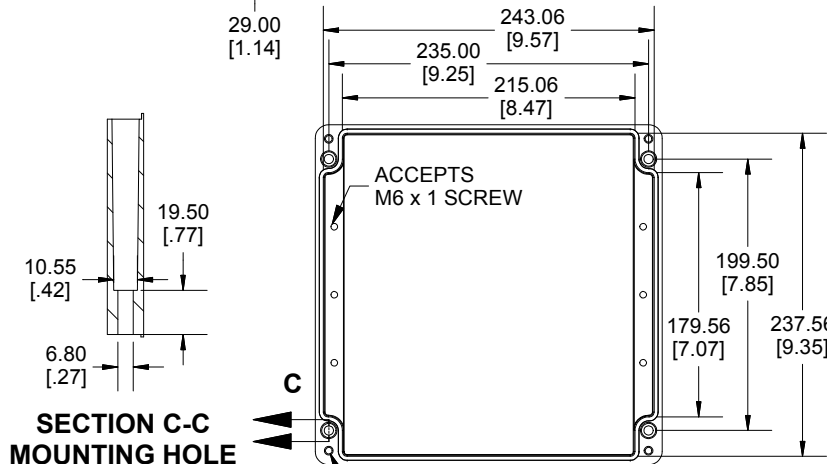
**SECTION A-A
SIDE VIEW**



STEEL INNER PANEL
SOLD SEPARATELY



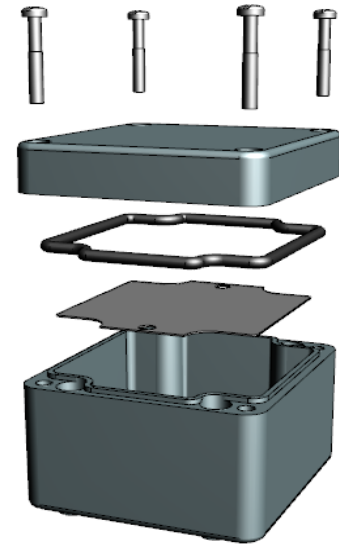
INSIDE LID



**SECTION C-C
MOUNTING HOLE**

INSIDE BOX

Dimensions:
mm
[inches]



Enclosures can be Factory Modified (Milling, Drilling, Printing etc.)
Contact Factory mjm@hammondmfg.com for quotes
Solid models of this enclosure available in STEP or IGES.
(Part number and text placement/orientation on our products are subject to change,
we do not recommend using them as a locating reference for modification purposes)

NOTE

Purchased assembly includes Box, Lid, Gasket and 4 cover screws
Enclosure Molded from Glass Reinforced Polyester
Recommended cover screw torque 8-9.5 lbf.in (90-110 cN.m)

PART NUMBERS

1590ZGRP235 Enclosure	
Grey Enclosure	1590ZGRP235
ACCESSORIES	
Copper Ground Hardware (20 Pack) [M6 - 1.0 X 6mm / M6 Washer]	SCGM6GRP-20
Stainless Steel Cover Screw (12 Pack) [M6 - 1.0 x 70mm]	SC571-12
Steel Inner Panel	1590ZGRP234PL
Hinge Kit (2 Pack)	1427HK

1590ZGRP235
www.hammondmfg.com