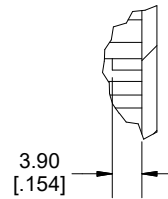
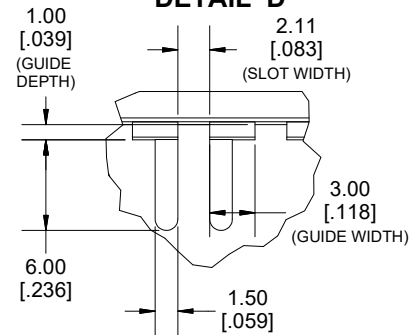


DETAIL C



DETAIL D



Enclosures can be Factory Modified (Milling, Drilling, Printing etc.)
Contact Factory (modshop@hammfg.com) for quotes
Solid models of this enclosure available in .stp or .x_t
(Part number and text placement/orientation on our products are subject to change,
we do not recommend using them as a locating reference for modification purposes)

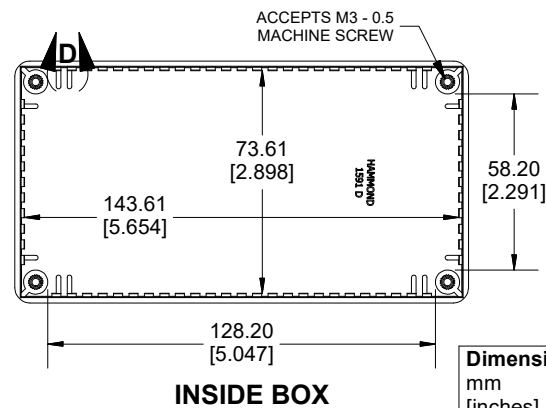
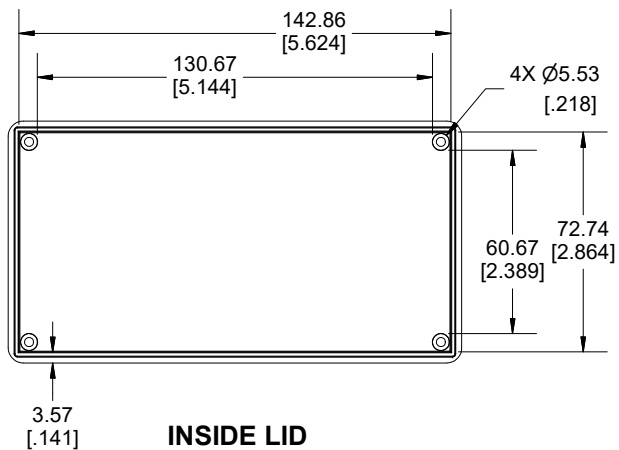
NOTE

Purchased assembly includes box, lid, 4 cover screws, and pre-installed brass inserts.
Enclosure made from FRABS.

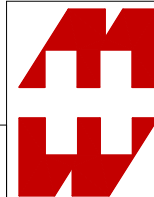
Recommended Torque: 42-57 ozf.in (30-40 cN.m)

PART NUMBERS

1591D Enclosure		
Material	Colour	Part Number
FR ABS UL94 -V0	Beige	1591DBG
	Black	1591DBK
	Blue	1591DBU
	Grey	1591DGY
Accessories		
Plated Cover screw M3 - 0.5 X 10mm (100Pkg)		1591MS100 (Silver) 1591MS100BK (Black)
PC Board Card Adapters		1591Z6 (6Pkg) 1591Z50 (50 Pkg) 1591Z100 (100Pkg)
	Nylon Belt / Pocket clip	1599CLIP (Black) 1599CLIPGY (Grey)
	Clear Lids - Flame Retardant Polycarbonate - Lid ONLY	1591DC



Dimensions:
mm
[inches]



**HAMMOND
MANUFACTURING.**
1591D

www.hammondmfg.com