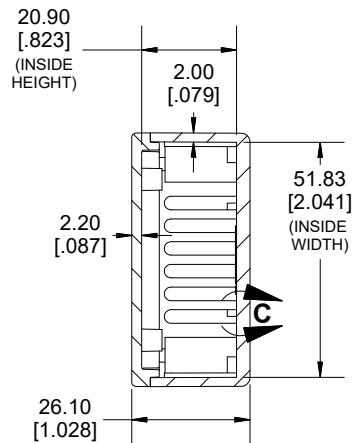
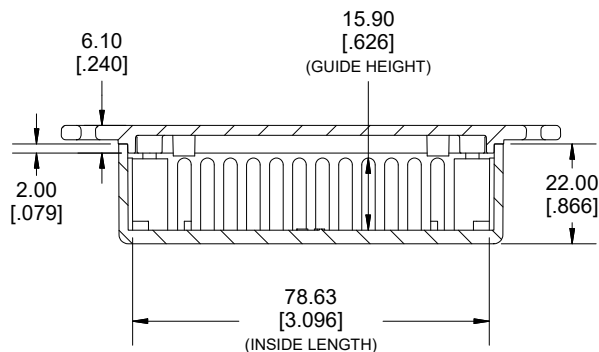
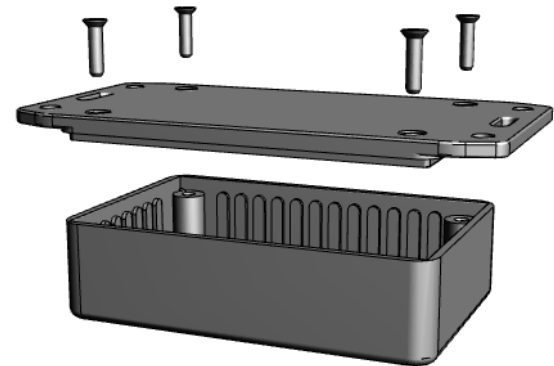


**TOP VIEW**

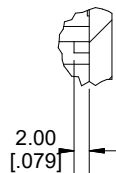


**SECTION A-A**

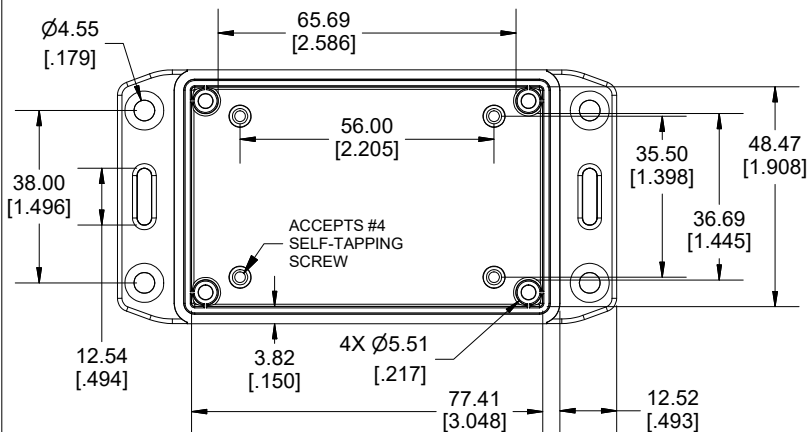
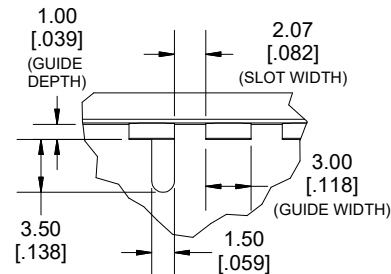


**SECTION B-B  
SIDE VIEW**

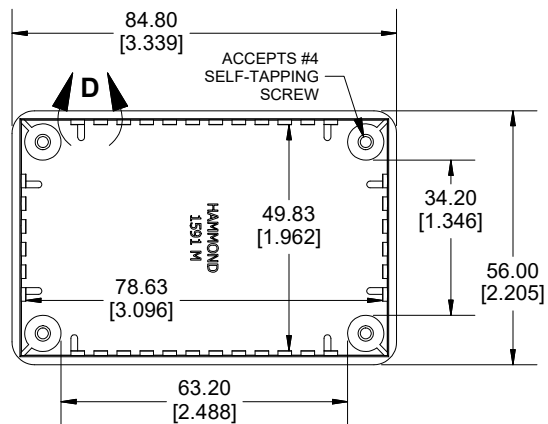
**DETAIL C**



**DETAIL D**



**INSIDE LID**



**INSIDE BOX**

Enclosures can be Factory Modified (Milling, Drilling, Printing etc.)  
 Contact Factory (modshop@hammfg.com) for quotes  
 Solid models of this enclosure available in .stp or .x\_t  
 (Part number and text placement/orientation on our products are subject to change,  
 we do not recommend using them as a locating reference for modification purposes)

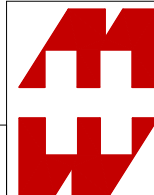
**NOTE**

Purchased assembly includes box, lid and 4 cover screws  
 Enclosure made from GPABS.

**Recommended Torque: 42-57 ozf.in (30-40 cN.m)**

**PART NUMBERS**

1591M Enclosure	
General Purpose ABS Black	1591MSFLBK
Accessories	
Plated Cover screw	1591TS100 (Silver)
#4 X 1/2" (100Pkg) Self-Tapping	1591TS100BK (Black)
P.C Board screws for Lid	1593ATS50 (50Pkg)
#4 X 1/4" (6.4mm) Self-Tapping	1593ATS100 (100Pkg)
PC Board Card Adapters	1591Z6 (6Pkg)
	1591Z50 (50 Pkg)
	1591Z100 (100Pkg)
Nylon Belt / Pocket clip	1599CLIP (Black)
	1599CLIPGY (Grey)



**HAMMOND  
 MANUFACTURING.**  
**1591MSFL**

Dimensions:  
 mm  
 [inches]

www.hammondmfg.com