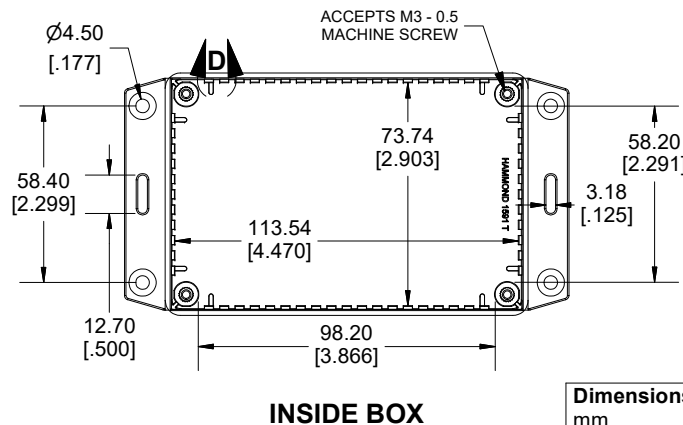
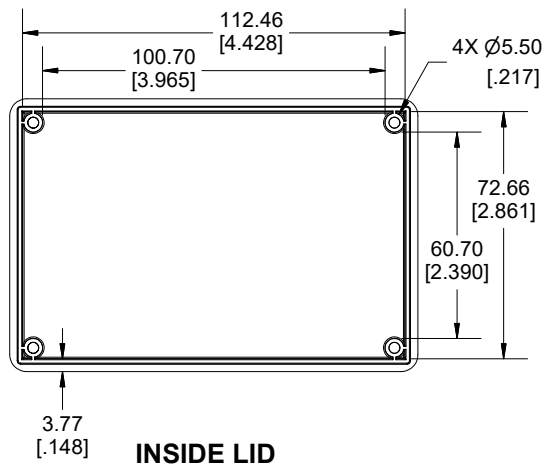


Enclosures can be Factory Modified (Milling, Drilling, Printing etc.)  
 Contact Factory (modshop@hammfg.com) for quotes  
 Solid models of this enclosure available in .stp or .x\_t  
 (Part number and text placement/orientation on our products are subject to change,  
 we do not recommend using them as a locating reference for modification purposes)

<b>NOTE</b>	
Purchased assembly includes box, lid, 4 cover screws, and pre-installed brass inserts.	
Enclosure made from FRABS	
<b>Recommended Torque: 42-57 ozf.in (30-40 cN.m)</b>	

<b>PART NUMBERS</b>	
<b>1591T Enclosure</b>	
Flame Retardant ABS Black	1591TF2BK
Flame Retardant ABS Grey	1591TF2GY
<b>Accessories</b>	
Plated Cover screw	1591MS100 (Silver)
M3 - 0.5 X 10mm (100Pkg)	1591MS100BK (Black)
PC Board Card Adapters	1591Z6 (6Pkg)
	1591Z50 (50 Pkg)
	1591Z100 (100Pkg)
Nylon Belt / Pocket clip	1599CLIP (Black)
	1599CLIPGY (Grey)
Clear Lids - Flame Retardant	1591TC
Polycarbonate - Lid ONLY	



Dimensions:  
 mm  
 [inches]

**HAMMOND  
 MANUFACTURING.**  
**1591TF2**  
 www.hammondmfg.com