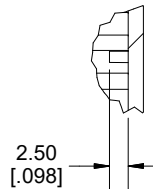
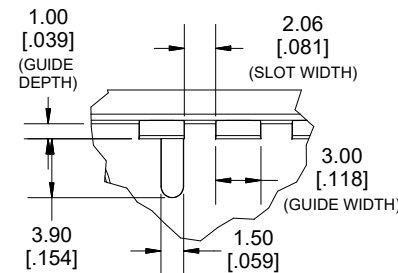


DETAIL C



DETAIL D



Enclosures can be Factory Modified (Milling, Drilling, Printing etc.)
 Contact Factory (modshop@hammfg.com) for quotes
 Solid models available in .stp or .x_t
 (Part number and text placement/orientation on our products are subject to change,
 we do not recommend using them as a locating reference for modification purposes)

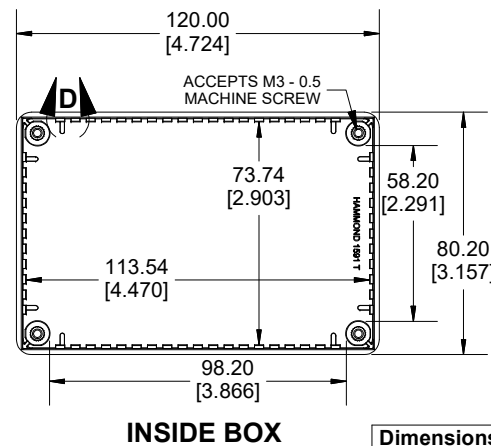
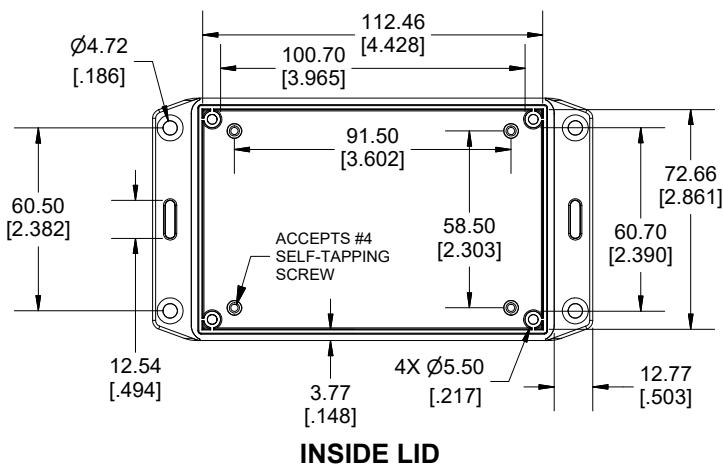
NOTE

Purchased assembly includes box, lid, 4 cover screws, and pre-installed brass inserts.
 Enclosure made from FRABS

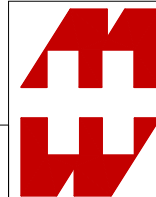
Recommended Torque: 42-57 ozf.in (30-40 cN.m)

PART NUMBERS

| 1591T Enclosure | |
|--------------------------------|---------------------|
| Flame Retardant ABS Black | 1591TFLBK |
| Flame Retardant ABS Grey | 1591TFLGY |
| Accessories | |
| Plated Cover screw | 1591MS100 (Silver) |
| M3 - 0.5 X 10mm (100Pkg) | 1591MS100BK (Black) |
| P.C Board screws for Lid | 1593ATS50 (50Pkg) |
| #4 X 1/4" (6.4mm) Self-Tapping | 1593ATS100 (100Pkg) |
| PC Board Card Adapters | 1591Z6 (6Pkg) |
| | 1591Z50 (50 Pkg) |
| | 1591Z100 (100Pkg) |
| Nylon Belt / Pocket clip | 1599CLIP (Black) |
| | 1599CLIPGY (Grey) |



Dimensions:
 mm
 [inches]



**HAMMOND
 MANUFACTURING.**
 1591TFL

www.hammondmfg.com