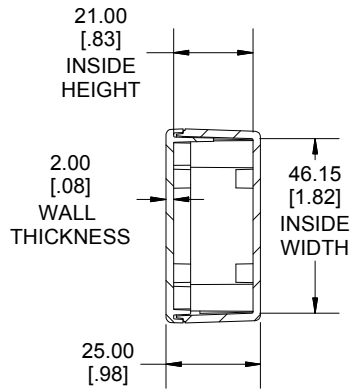
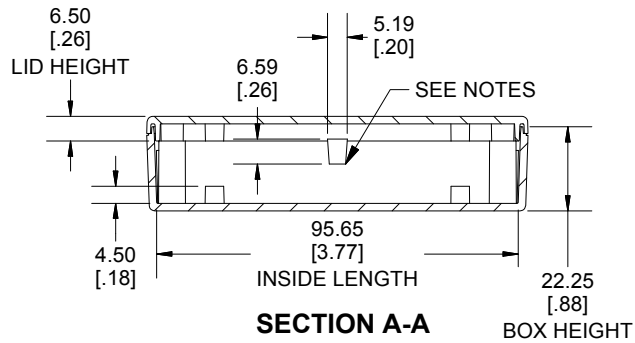


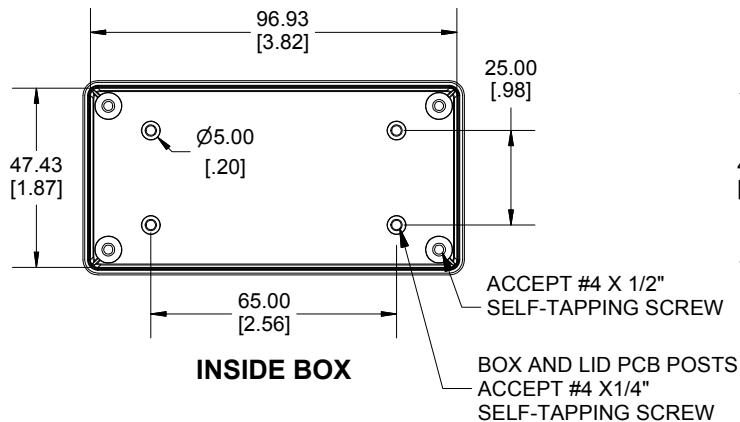
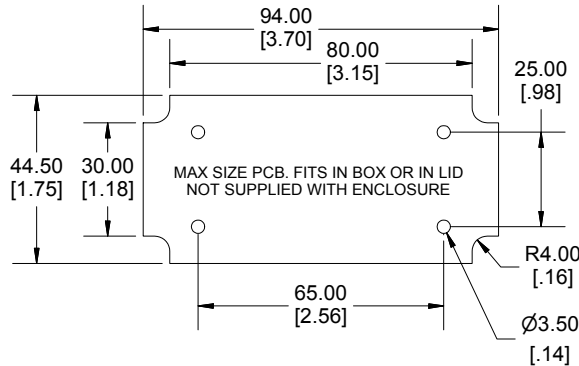
**TOP VIEW**



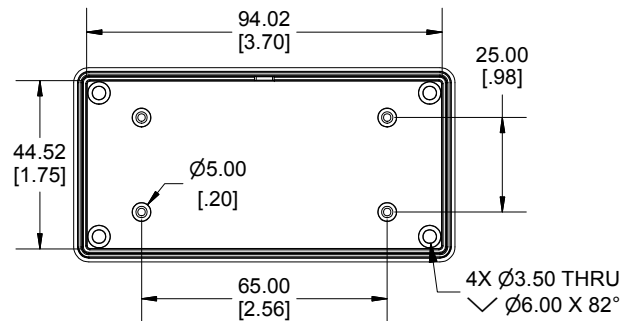
**SECTION B-B  
END VIEW**



**SECTION A-A  
SIDE VIEW**



**INSIDE BOX**



**INSIDE LID**

Enclosures can be Factory Modified ( Milling, Drilling, Printing etc.)  
 Contact Factory [mjm@hammondmfg.com](mailto:mjm@hammondmfg.com) for quotes  
 Solid models of this enclosure available in STEP or IGES.  
 (Part number and text placement/orientation on our products are subject to change,  
 we do not recommend using them as a locating reference for modification purposes)

| <b>NOTE</b>   |  |
|---|--|
| Tab dimensions show maximum size, tab may vary.           |  |
| Purchased assembly includes box, lid and 4 cover screws.  |  |
| Enclosure molded from GPABS Plastic.                      |  |
| Other materials / colours available consult factory.      |  |
| <b>Recommended Torque : (35-43) Ozf.in / (25-30) cN.m</b> |  |

| <b>PART NUMBERS</b>                        |                       |
|--|-----------------------|
| <b>1591XXAS Enclosure</b>                  |                       |
| Black Textured Enclosure                   | 1591XXASBK            |
| <b>ACCESSORIES</b>                         |                       |
| Black Cover Screws #4 X 1/2" Self-tapping  | 1591TS100BK (Pkg 100) |
| Plated Cover Screws #4 X 1/2" Self-tapping | 1591TS100 (Pkg 100)   |
| Black ABS Mounting Flange                  | 1591FABK              |
| Grey ABS Mounting Flange                   | 1591FAGY              |
| Plated Cover Screws [M3-0.5 X 10mm]P.C.    | 1593ATS50 (Pkg 50)    |
| Board Screws                               | 1593ATS100 (Pkg 100)  |

**Dimensions:**  
 mm  
 [inches]

**HAMMOND  
MANUFACTURING®**

**1591XXAS**

[www.hammondmfg.com](http://www.hammondmfg.com)