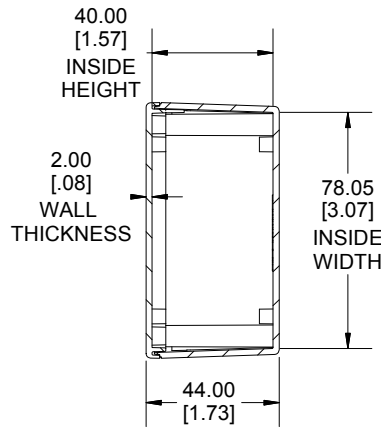
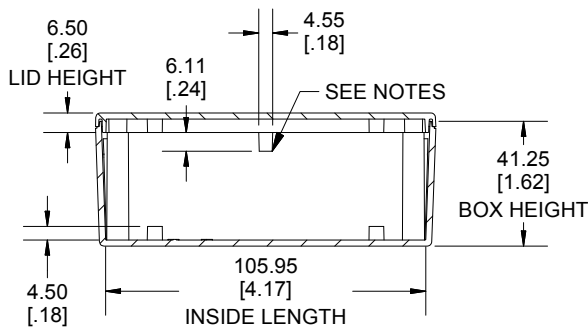
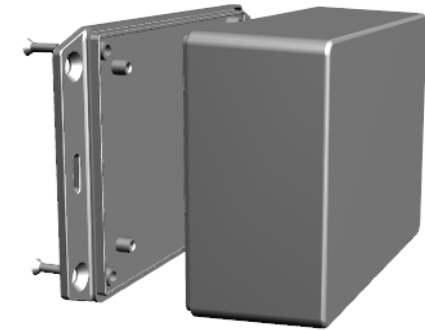


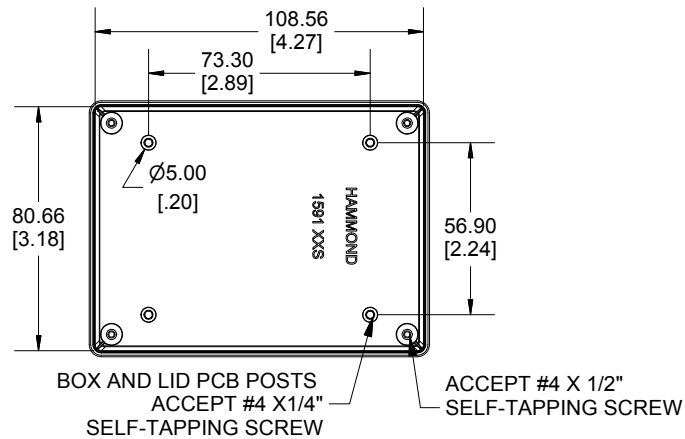
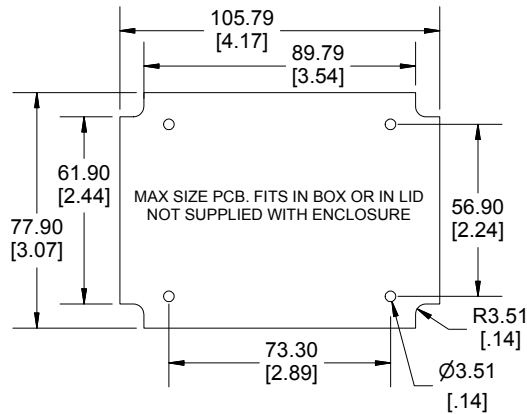
TOP VIEW



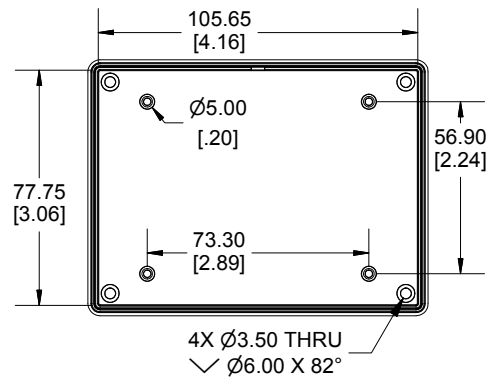
**SECTION B-B
END VIEW**



**SECTION A-A
SIDE VIEW**



INSIDE BOX



INSIDE LID

Enclosures can be Factory Modified (Milling, Drilling, Printing etc.)
 Contact Factory mjm@hammondmfg.com for quotes
 Solid models of this enclosure available in STEP or IGES.
 (Part number and text placement/orientation on our products are subject to change,
 we do not recommend using them as a locating reference for modification purposes)

NOTE	
Tab dimensions show maximum size, tab may vary.	
Purchased assembly includes box, lid and 4 cover screws.	
Enclosure molded from GPABS Plastic.	
Other materials / colours available consult factory.	
Recommended Torque : (35-43) Ozf.in / (25-30) cN.m	

PART NUMBERS	
1591XXSS Enclosure	
Black Textured Enclosure	1591XSSBK
ACCESSORIES	
Black Cover Screws #4 X 1/2" Self-tapping	1591TS100BK (Pkg 100)
Plated Cover Screws #4 X 1/2" Self-tapping	1591TS100 (Pkg 100)
Black ABS Mounting Flange	1591FSBK
Grey ABS Mounting Flange	1591FSGY
Plated Cover Screws [M3-0.5 X 10mm]P.C.	1593ATS50 (Pkg 50)
Board Screws	1593ATS100 (Pkg 100)

**HAMMOND
MANUFACTURING®**

1591XXSS

www.hammondmfg.com

Dimensions:
mm
[inches]