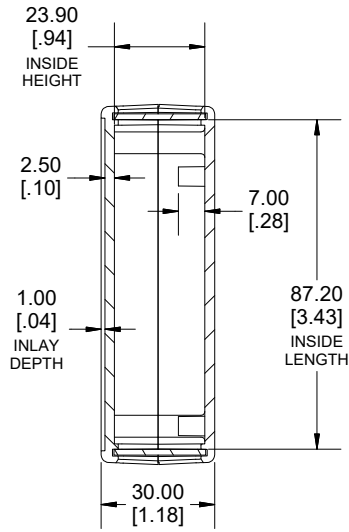
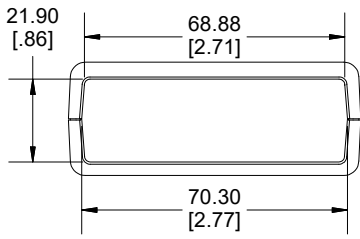
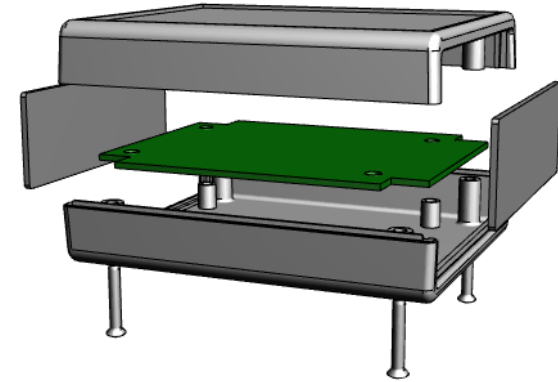


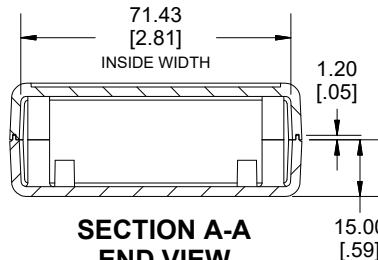
TOP VIEW



**SECTION B-B
SIDE VIEW**



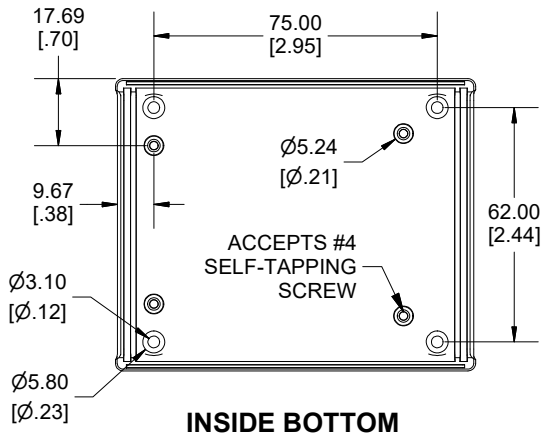
END VIEW



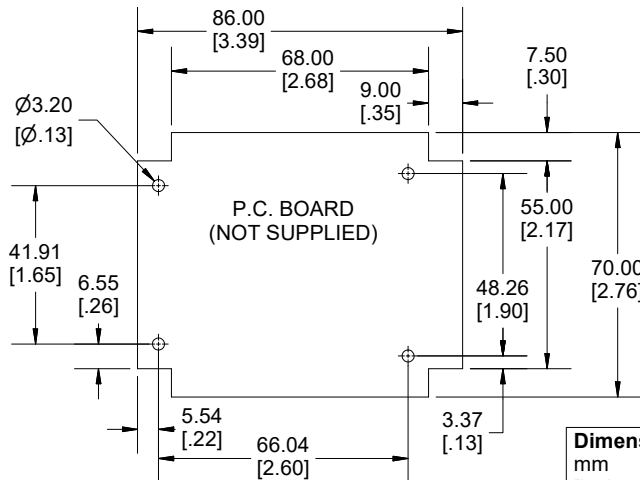
**SECTION A-A
END VIEW**

Enclosures can be Factory Modified (Milling, Drilling, Printing etc.)
 Contact Factory (modshop@hammfg.com) for quotes
 Solid models of this enclosure available in .stp or .x_t
 (Part number and text placement/orientation on our products are subject to change,
 we do not recommend using them as a locating reference for modification purposes)

NOTE	
Enclosure molded from GP ABS (UL94-HB) plastic. Purchased assembly includes top and bottom cover, 2 flat plastic panels for front and rear and 4 cover screws.	
Recommended Cover Screw Torque - 57lbf-in (40cN-m)	
1593	
1593BB Regular Enclosure	
Black Enclosure	1593BBBK
Grey Enclosure	1593BBGY
Translucent Blue Enclosure	1593BBTBU
ACCESSORIES	
Cover Screws #4 X 3/4" Self-Tapping (100 Pkg)	1593QS100 (Silver) 1593QS100BK (Black)
P.C. Board Screws #4 X 1/4" Self-Tapping	1593ATS50 (Pkg 50) 1593ATS100 (Pkg 100)
Nylon Belt Clip	1599CLIP (Black) 1599CLIPGY (Grey)
1593BB STD FLAT PANEL (SINGLE PANEL)	Black 1593BBLBK-B
	Grey 1593BBLGY-B
	Translucent Blue 1593BBLTBU-B
	Infrared 1593BBIR10
	Aluminum 1593BBAL10



INSIDE BOTTOM



Dimensions:
mm
[inches]

**HAMMOND
MANUFACTURING®**
1593BB
www.hammondmfg.com