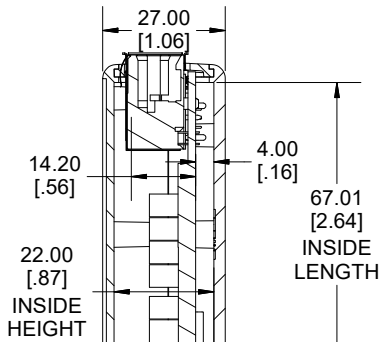
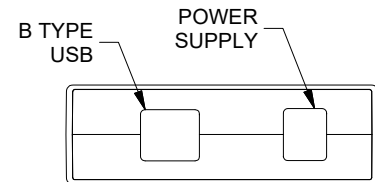


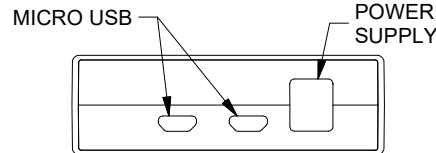
TOP VIEW



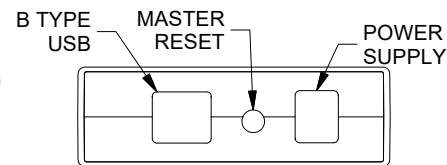
SECTION A-A



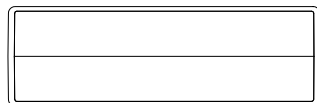
UNO PANEL



LEONARDO / M0 PRO PANEL

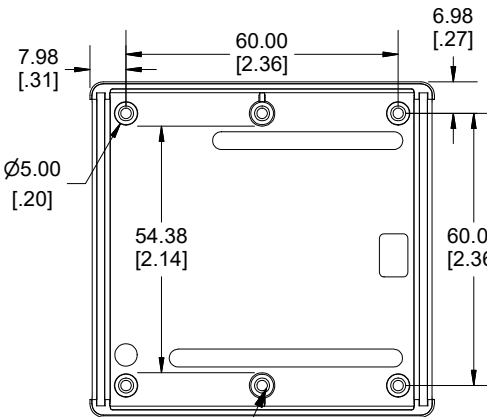


101 PANEL (NOT INCLUDED)

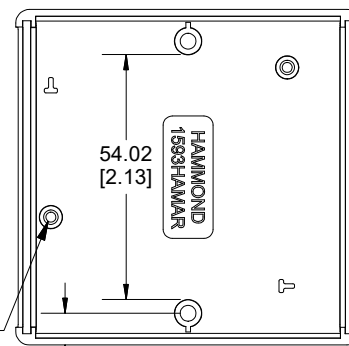


BACK COVER PANEL

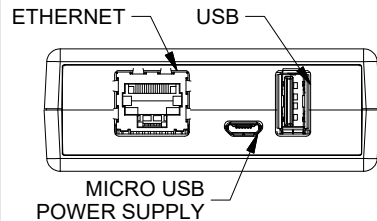
NOTE:
PANELS CAN BE SWAPPED OUT TO ACCOMMODATE ARDUINO BOARDS (LEONARDO, YUN, UNO, M0 PRO) ARDUINO 101 PANEL SOLD SEPARATELY



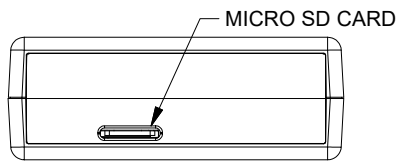
INSIDE TOP



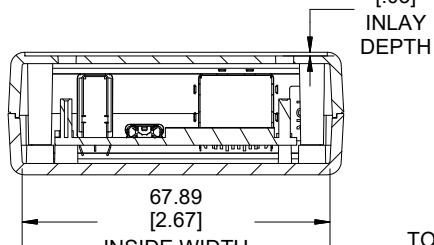
INSIDE BOTTOM



YUN FRONT VIEW



YUN BACK VIEW



SECTION B-B

Enclosures can be Factory Modified (Milling, Drilling, Printing etc.)
Contact Factory (modshop@hammondmfg.com) for quotes
Solid models of this enclosure available in .stp or .x_t
(Part number and text placement/orientation on our products are subject to change, we do not recommend using them as a locating reference for modification purposes)

NOTE

Purchased assembly includes top and bottom cover, 3 front panels (works with Arduino YUN, UNO, Leonardo / M0 PRO), 2 rear Panels (one blank and one that works with YUN micro SD card), 2 cover screws, 2 screws to secure Arduino board and 4 rubber feet.

Recommended Cover Screw Torque - 57lbf-in (40cN-m)

PART NUMBERS

1593HAMAR		
Black Enclosure	1593HAMARBK	
Grey Enclosure	1593HAMARGY	
Translucent Blue Enclosure	1593HAMARTBU	
ACCESSORIES		
Cover Screws #4 X 1/2" Self-Tapping (100 Pkg)	1591TS100	
P.C. Board Screws M2.6 X 6mm Self-Tapping	1591TS100BK (Black)	
Clear Rubber Feet (Pkg 24)	SC519-50 (Pkg 50)	
Arduino Panels	1421T6CL	
1593AR STD CONTOURED PANEL (SINGLE PANEL)	Color	-
	Black	1593ARL2BK-B
	Grey	1593ARL2GY-B
1593HAMAR UNO PANEL KIT (FRONT & REAR PANEL)	Translucent Blue	1593ARL2TBU-B
	Black	1593ARL3BK-B
	Grey	1593ARL3GY-B
1593HAMAR YUN PANEL KIT (FRONT & REAR PANEL)	Translucent Blue	1593ARL3TBU-B
	Black	1593ARL4BK-B
	Grey	1593ARL4GY-B
1593HAMAR LEO/M0 PRO PANEL KIT (FRONT & REAR PANEL)	Translucent Blue	1593ARL4TBU-B
	Black	1593ARL6BK-B
	Grey	1593ARL6GY-B
1593HAMAR 101 PANEL KIT (FRONT & REAR PANEL)	Translucent Blue	1593ARL6TBU-B
	Black	1593ARL7BK-B
	Grey	1593ARL7GY-B
	Translucent Blue	1593ARL7TBU-B

Dimensions:
mm
[inches]

HAMMOND MANUFACTURING
1593HAMAR
www.hammondmfg.com