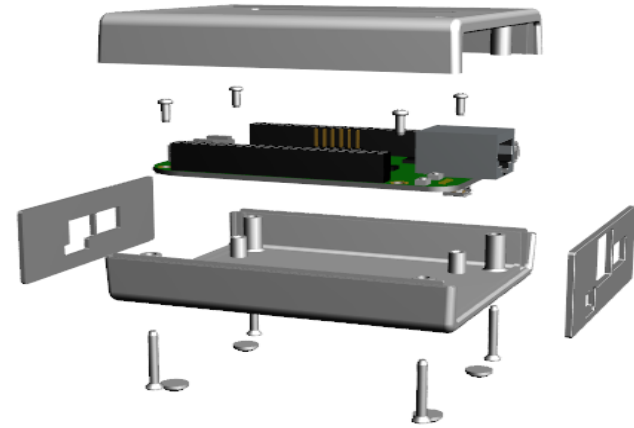
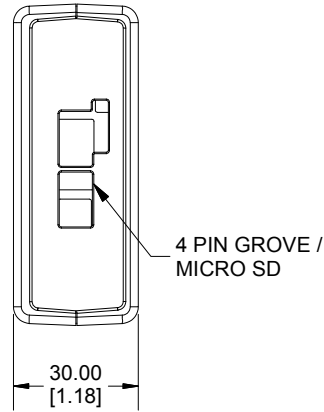
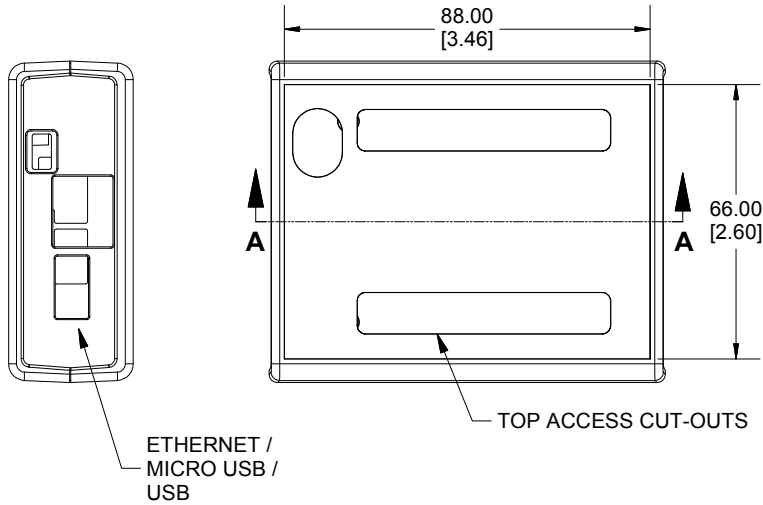


SECTION A-A



***FOR USE WITH BEAGLEBONE GREEN**

NOTE

Purchased assembly includes top and bottom cover, front and rear end panels, 4 cover screws, 4 PCB screws and 4 clear rubber feet. (P.C. Board not included)

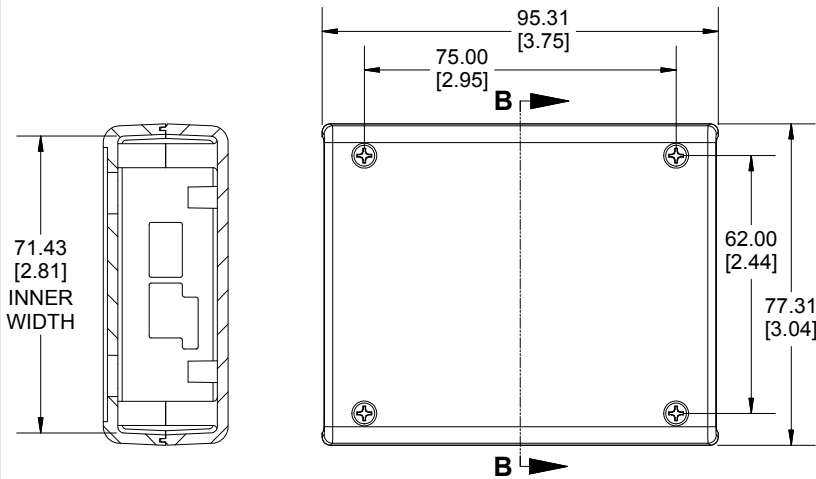
PART NUMBERS

| 1593HAMBOGR Enclosure | |
|----------------------------|-----------------|
| Black Enclosure | 1593HAMBOGRBK |
| Grey Enclosure | 1593HAMBOGRGY |
| Translucent Blue Enclosure | 1593HAMBOGRBTBU |

ACCESSORIES

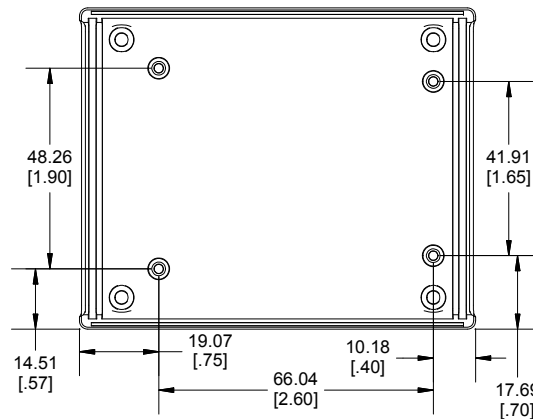
Recommended Torque: 75 ozf.in / 55 cN.m

| | | |
|---|------------------|----------------------|
| 1 Front and 1 Rear Panel (With cut outs) | Black | 1593BOGRL1BK-B |
| | Grey | 1593BOGRL1GY-B |
| | Translucent Blue | 1593BOGRL1TBU-B |
| STD Flat Panel (Single Panel No cut outs) | Black | 1593BBLBK-B |
| | Grey | 1593BBLGY-B |
| | Translucent Blue | 1593BBLTBU-B |
| | Infrared | 1593BBIR10 |
| P.C. Board Screws | | 1593ATS50 (pkg 50) |
| #4 X 1/4" Self-Tapping | | 1593ATS100 (pkg 100) |
| Cover Screws (Pkg 100) | | 1593QS100 (Silver) |
| #4 X 3/4" Self-Tapping | | 1593QS100BK (Black) |



SECTION B-B

INSIDE BOTTOM



Dimensions:
mm
[inches]

