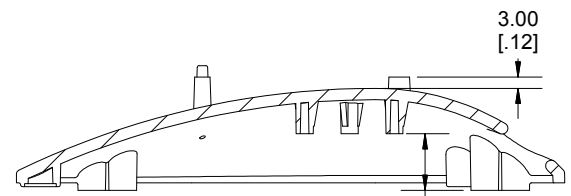
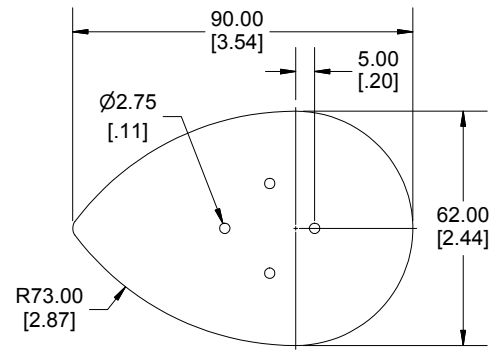


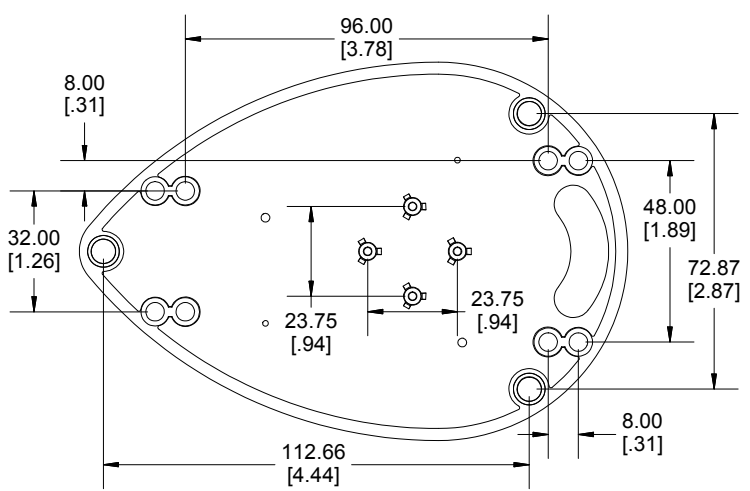
END VIEW



**SECTION B-B
SIDE VIEW**



MAX SIZE PCB. THAT FITS UNDER BASE
NOT SUPPLIED WITH ASSEMBLY



BOTTOM VIEW

Enclosures can be Factory Modified (Milling, Drilling, Printing etc.)
Contact Factory mjm@hammondmfg.com for quotes
Solid models of this enclosure available in STEP or IGES.

NOTE	
Purchased assembly includes base, 3 rubber feet and 6 screws.	
Molded from General Purpose ABS	
Recommended Screw Torque -- 26-34 ozf.in (20-25 cN.m)	

1593EGG	
1593EGG1	
Translucent Black	1593EGG1TBK
Translucent Blue	1593EGG1TBU
Translucent Purple	1593EGG1TPU
ACCESSORIES	
M2.6 X 6mm self tapping screw	SC519-50
Battery holder kit for 3 AAA cells	BH3AAAW
Battery holder kit for 4 AAA cells	BH4AAAW

Dimensions:
mm
[inches]

**HAMMOND
MANUFACTURING®**

1593HAMEGG1

www.hammondmfg.com