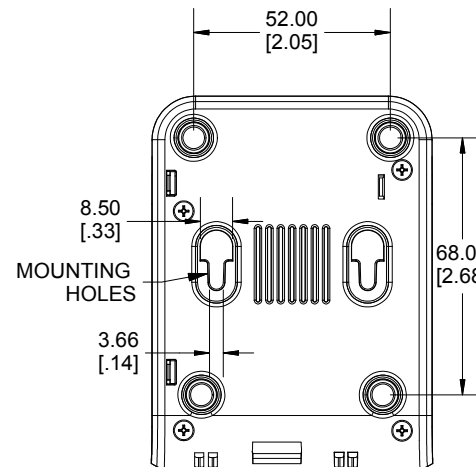
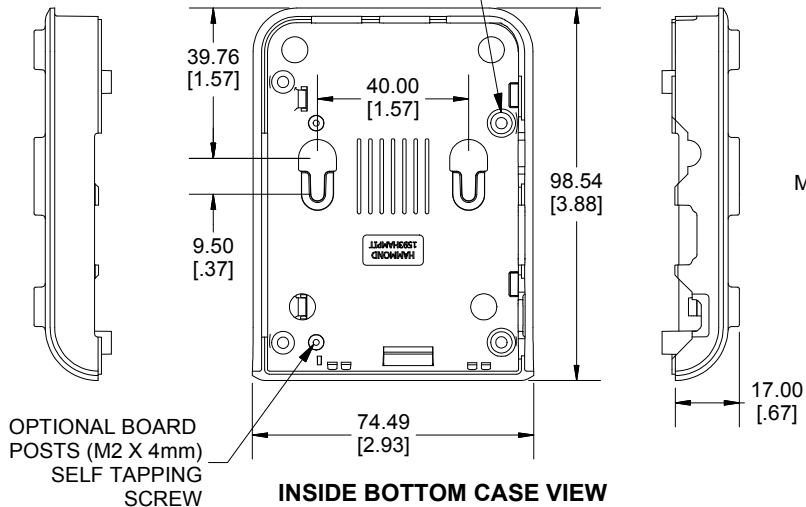


RASPBERRY Pi
MODELS B+, 2 and 3
FITS INTO BASE



Enclosures can be Factory Modified (Milling, Drilling, Printing etc.)
Contact Factory mjm@hammondmfg.com for quotes
Solid models of this enclosure available in STEP or IGES.
(Part number and text placement/orientation on our products are subject to change,
we do not recommend using them as a locating reference for modification purposes)

NOTE

Purchased assembly includes top and bottom, 6 screws, 4 rubber feet and a rubber spacer.(Development Board is not Included)

PART NUMBERS

1593HAMPIT Enclosure

Black Enclosure	1593HAMPITBK
Clear Enclosure	1593HAMPITCLR

ACCESSORIES

Cover Screws Self Tapping Flat Head [M2.6 X 20mm Plated]	SC521-50 [50 pkg]
P.C.B. Screws Self Tapping Pan Head [M2 X 4mm Plated]	SC522-50 [50 pkg]

Dimensions:
mm
[inches]

