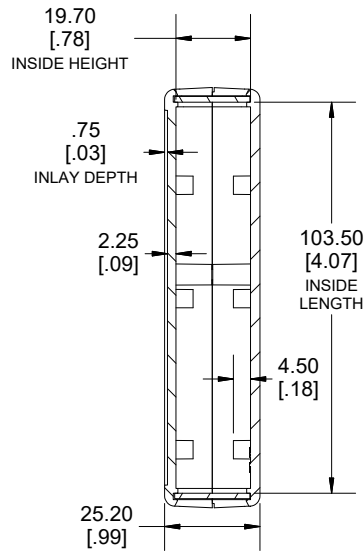
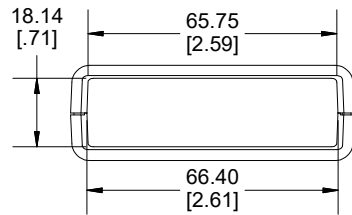


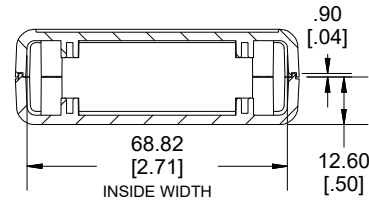
**TOP VIEW**



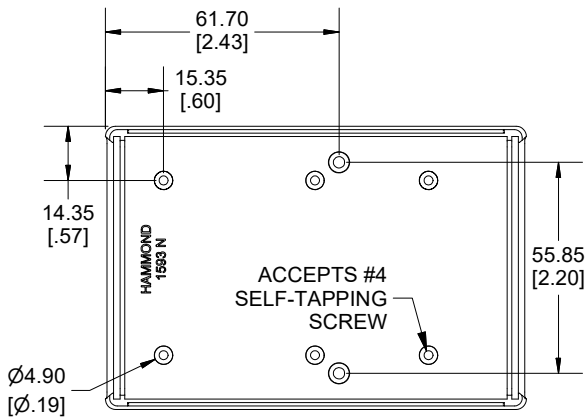
**SECTION B-B  
SIDE VIEW**



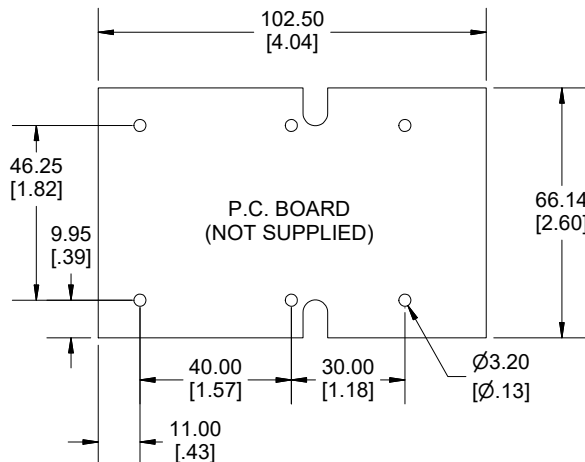
**END VIEW**



**SECTION A-A  
END VIEW**



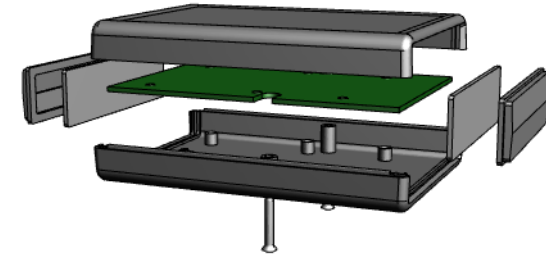
**INSIDE BOTTOM**



**Dimensions:**  
mm  
[inches]



**HAMMOND  
MANUFACTURING®**  
**1593N**  
www.hammondmfg.com



Enclosures can be Factory Modified (Milling, Drilling, Printing etc.)  
Contact Factory (modshop@hammfg.com) for quotes  
Solid models of this enclosure available in .stp or .x\_t  
(Part number and text placement/orientation on our products are subject to change,  
we do not recommend using them as a locating reference for modification purposes)

**NOTE**

Enclosure molded from GP ABS (UL94-HB) plastic.  
Purchased assembly includes top and bottom cover, 4 plastic panels for front and rear (2 types - flat and contoured) and 2 cover screws.

**Recommended Cover Screw Torque - 57lbf-in ( 40cN-m)**

**1593**

**1593N Regular Enclosure**

Black Enclosure	1593NBK
Grey Enclosure	1593NGY
Translucent Blue Enclosure	1593NTBU

**ACCESSORIES**

Cover Screws #4 X 3/4" Self-Tapping (100 Pkg)	1593QS100 (Silver)	
	1593QS100BK (Black)	
P.C. Board Screws #4 X 1/4" Self-Tapping	1593ATS50 (Pkg 50)	
	1593ATS100 (Pkg 100)	
Nylon Belt Clip	1599CLIP (Black)	
	1599CLIPGY (Grey)	
1593N STD FLAT PANEL (SINGLE PANEL)	Black	1593NLBK-BULK
	Grey	1593NLGY-BULK
	Translucent Blue	1593NLTBU-BULK
1593N STD CONTOURED PANEL (SINGLE PANEL)	Infrared	1593NIR10
	Aluminum	1593NAL10
	Black	1593NCLBK-BULK
	Grey	1593NCLGY-BULK
	Translucent Blue	1593NCLTBU-BULK