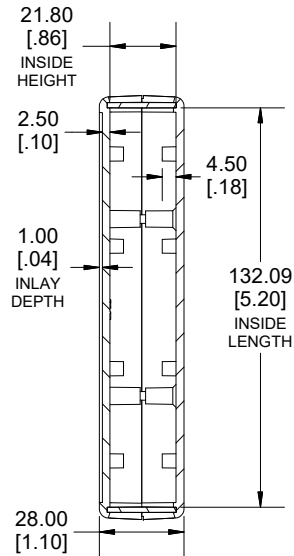
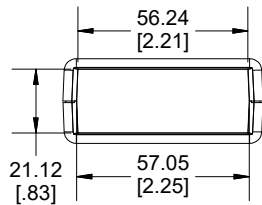
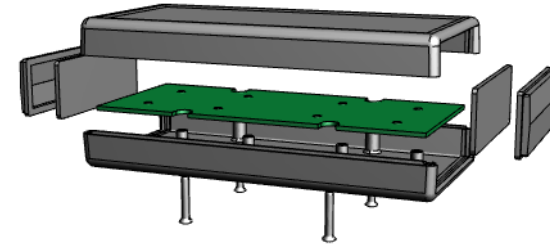


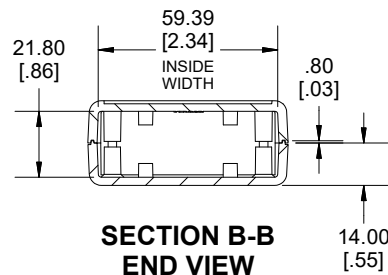
TOP VIEW



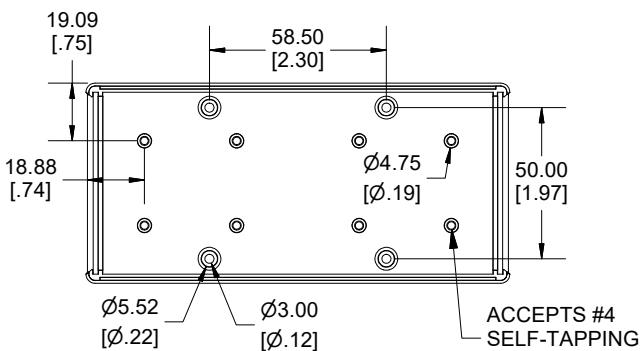
SECTION A-A
SIDE VIEW



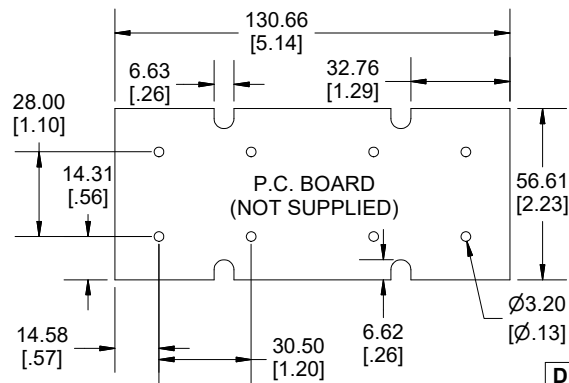
END VIEW



SECTION B-B
END VIEW



INSIDE BOTTOM



Dimensions:
mm
[inches]

Enclosures can be Factory Modified (Milling, Drilling, Printing etc.)
Contact Factory (modshop@hammfg.com) for quotes
Solid models of this enclosure available in .stp or .x_t
(Part number and text placement/orientation on our products are subject to change,
we do not recommend using them as a locating reference for modification purposes)

NOTE	
Enclosure molded from GP ABS (UL94-HB) plastic. Purchased assembly includes top and bottom cover, 4 plastic panels for front and rear (2 types - flat and contoured) and 4 cover screws.	
Recommended Cover Screw Torque - 57lbf-in (40cN-m)	
1593	
1593X Regular Enclosure	
Black Enclosure	1593XBK
Grey Enclosure	1593XGY
Translucent Blue Enclosure	1593XTBU
ACCESSORIES	
Cover Screws #4 X 3/4" Self-Tapping (100 Pkg)	1593QS100 (Silver) 1593QS100BK (Black)
P.C. Board Screws #4 X 1/4" Self-Tapping	1593ATS50 (Pkg 50) 1593ATS100 (Pkg 100)
Nylon Belt Clip	1599CLIP (Black) 1599CLIPGY (Grey)
1593X STD FLAT PANEL (SINGLE PANEL)	Black 1593PLBK-BULK
	Grey 1593PLGY-BULK
	Translucent Blue 1593PLTBU-BULK
	Infrared 1593PIR10
1593X STD CONTOURED PANEL (SINGLE PANEL)	Aluminum 1593PAL10
	Black 1593KLBK-BULK
	Grey 1593KCLGY-BULK
	Translucent Blue 1593KCLTBU-BULK

HAMMOND MANUFACTURING
1593X
www.hammondmfg.com