

Enclosures can be Factory Modified ( Milling, Drilling, Printing etc.)  
 Contact Factory [mjm@hammondmfg.com](mailto:mjm@hammondmfg.com) for quotes  
 Solid models of this enclosure available in STEP or IGES.  
 (Part number and text placement/orientation on our products are subject to change,  
 we do not recommend using them as a locating reference for modification purposes)

**NOTE**

Purchased assembly includes box, lid and 4 cover screws. Box and Lid are made from General Purpose ABS

**Recommended Torque: 42-57 ozf.in (30-40 cN.m)**

**PART NUMBERS**

**1599BS General Purpose ABS**

Grey GP-ABS

1599BSGY

**ACCESSORIES**

Cover Screws (Pkg 100)

1599BTS100

[#4 x 3/4" Self Tapping Screw]

P.C Board Screws (Pkg of 50 or 100)

1593ATS50

[#4 x 1/4" Pan Head Self Tapping Screws]

1593ATS100

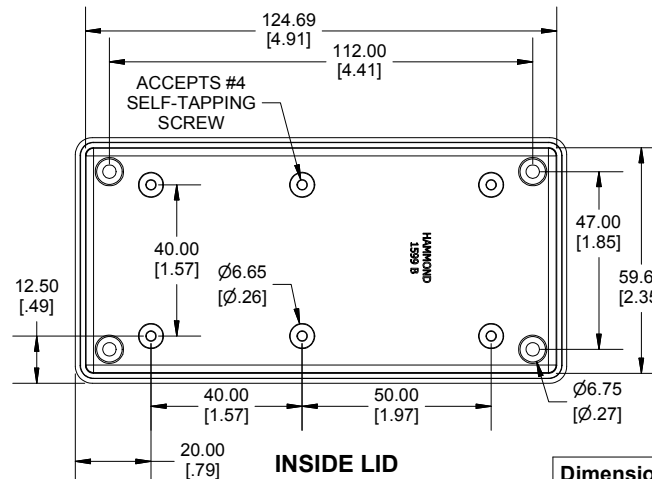
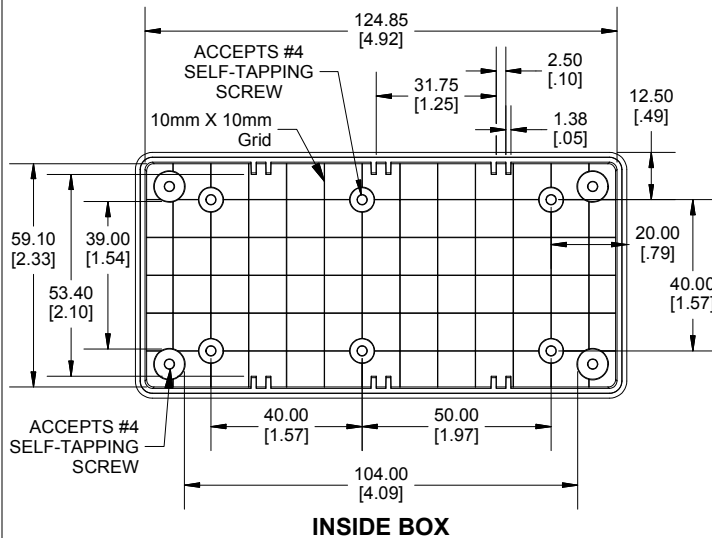
Nylon Belt Clip

1599CLIP (Black)

1599CLIPGY (Grey)

ABS Divider Panel Grey

1599BD



**Dimensions:**  
 mm  
 [inches]

**HAMMOND MANUFACTURING**

**1599BS**

[www.hammondmfg.com](http://www.hammondmfg.com)