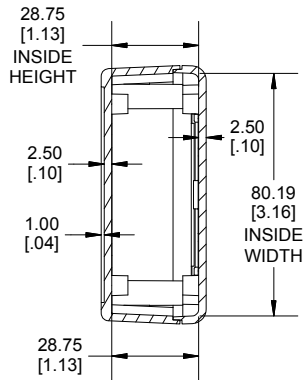
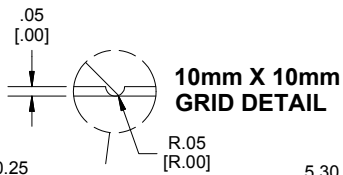
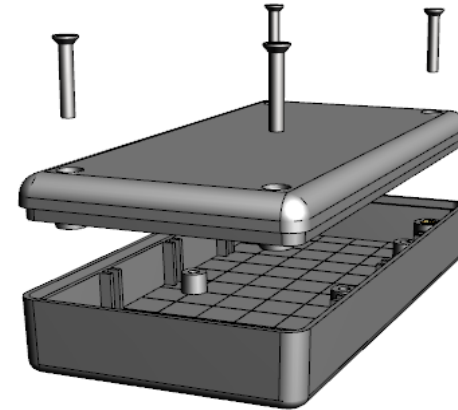


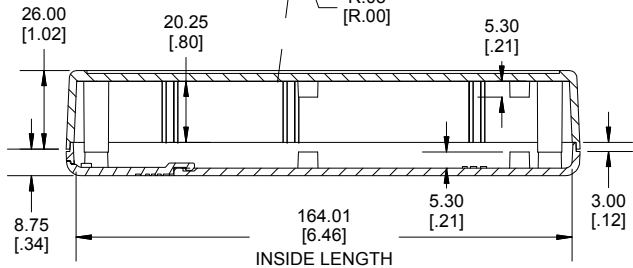
TOP VIEW



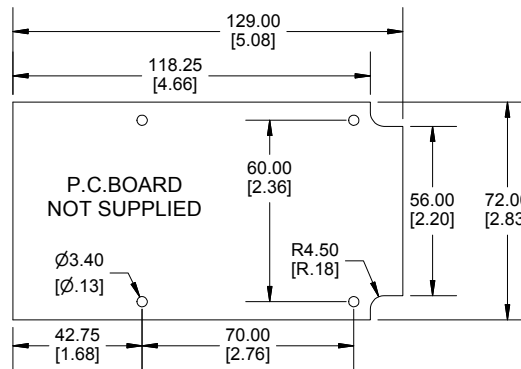
END VIEW SECTION A-A



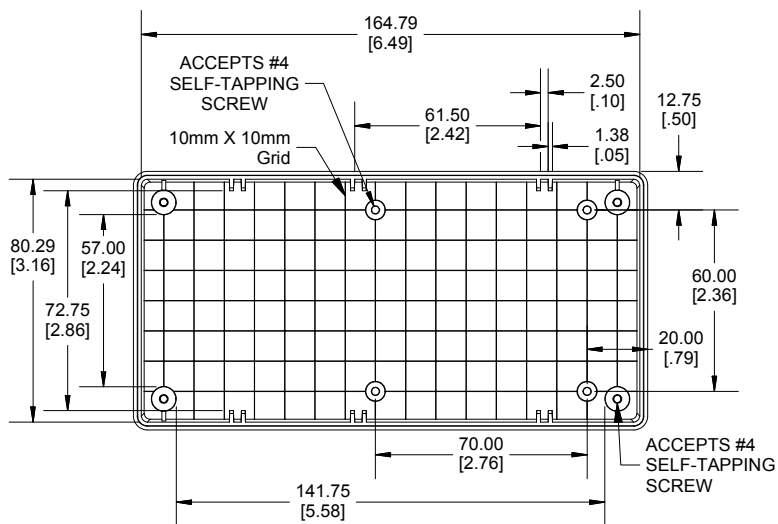
10mm X 10mm GRID DETAIL



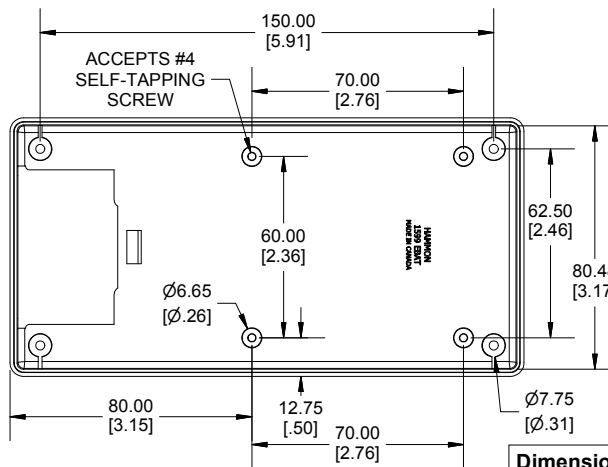
SECTION B-B



MAXIMUM P.C. BOARD



INSIDE BOX



INSIDE LID

Enclosures can be Factory Modified ( Milling, Drilling, Printing etc.)  
 Contact Factory [mjm@hammondmfg.com](mailto:mjm@hammondmfg.com) for quotes  
 Solid models of this enclosure available in STEP or IGES.  
 (Part number and text placement/orientation on our products are subject to change,  
 we do not recommend using them as a locating reference for modification purposes)

**NOTE**

Purchased assembly includes box, lid, battery door and 4 cover screws.  
 Box and Lid are made from General Purpose ABS

**Recommended Torque: 42-57 ozf.in (30-40 cN.m)**

**PART NUMBERS**

**1599ESBAT General Purpose ABS**

Grey GP-ABS

1599ESGYBAT

**ACCESSORIES**

Cover Screws (Pkg 100)

1593MS100 (Grey)

[#4 x 5/8" Self-tapping Screw]

1593ATS50

P.C Board Screws (Pkg of 50 or 100)

1593ATS100

[#4 x 1/4" Pan Head Self Tapping Screws]

1599CLIP (Black)

Nylon Belt Clip

1599CLIPGY (Grey)

ABS Divider Panel Grey

1599ED



**HAMMOND  
 MANUFACTURING**

**1599ESBAT**

Dimensions:  
 mm  
 [inches]

[www.hammondmfg.com](http://www.hammondmfg.com)