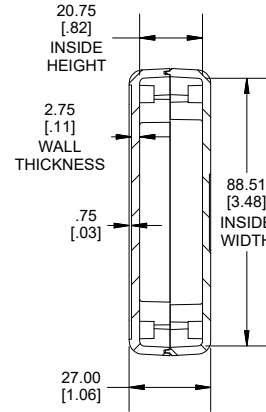
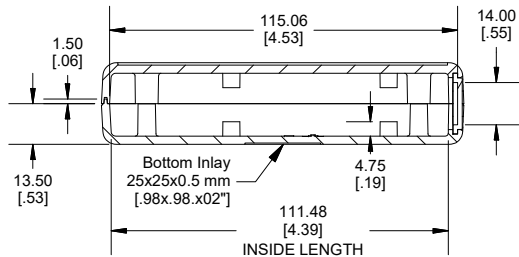
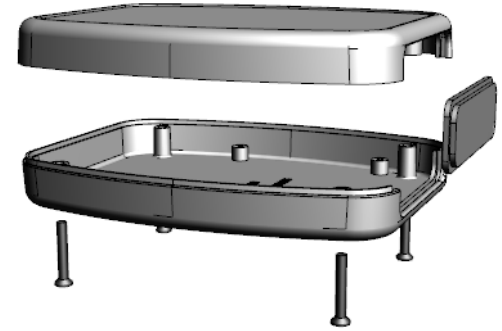


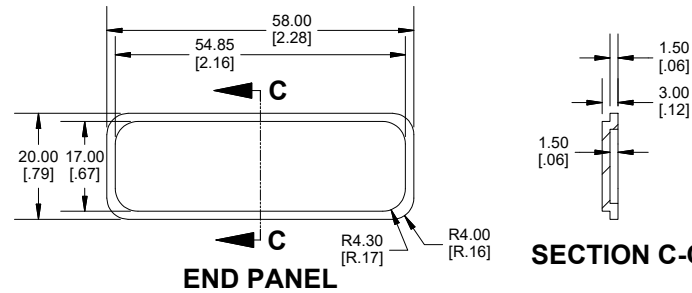
**END VIEW**



**SECTION A-A**



**SECTION B-B**

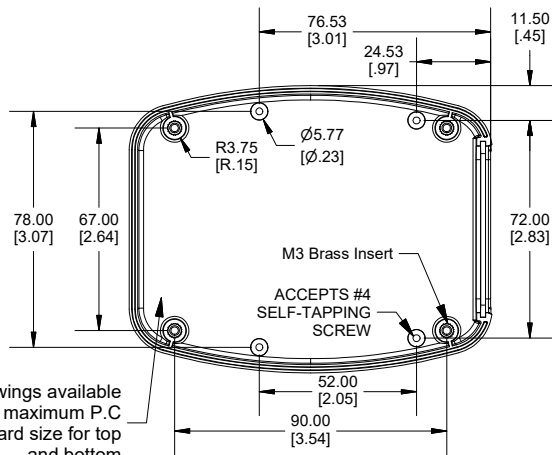


**SECTION C-C**

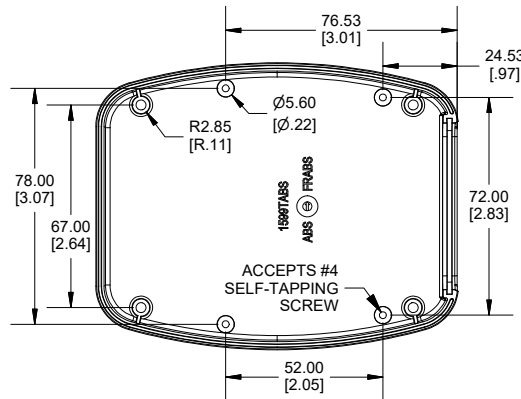
Enclosures can be Factory Modified (Milling, Drilling, Printing etc.)  
 Contact Factory (modshop@hammfg.com) for quotes  
 Solid models of this enclosure available in .stp or .x\_t  
 (Part number and text placement/orientation on our products are subject to change, we do not recommend using them as a locating reference for modification purposes)

NOTE	
Purchased assembly includes top and bottom cover, 1 removable panel and 4 cover screws (M3-0.5 x 18mm) . M3 Brass inserts are installed for cover screws. Enclosure molded from FR ABS (UL94-V0) plastic.	
<b>Recommended Cover Screw Torque - 43-50 ozf.in (30-35cN-m)</b>	

PART NUMBERS	
1599TABS Enclosure	
Black Enclosure	1599TABS BK
Grey Enclosure	1599TABS GY
ACCESSORIES	
Replacement Cover Screws [M3-0.5 x 18mm] (Pkg 100)	1594MS100 (Silver) 1594MS100BK (Black)
P.C. Board Screws (#4 x 1/4" Self Tapping)	1593ATS50 (Pkg 50) 1593ATS100 (Pkg 100)
1599TABS End Panel (Single Panel)	1599TABSPLBK-B (Black) 1599TABSPLGY-B (Grey)



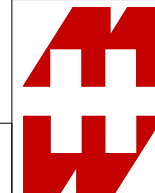
**INSIDE BOTTOM**



**INSIDE TOP**

Drawings available for maximum P.C Board size for top and bottom

Dimensions:  
mm  
[inches]



**HAMMOND MANUFACTURING.**  
**1599TABS**

www.hammondmfg.com